

Article datasheet

Anti-Kink Sleeve $\varnothing 4 \times 22 \text{mm}$ Polychloropren (Neopren) black

Article-No.: 014.02.040

Manufacturer: SES-Sterling

Manufacturer article-no.: 0253 0075 010

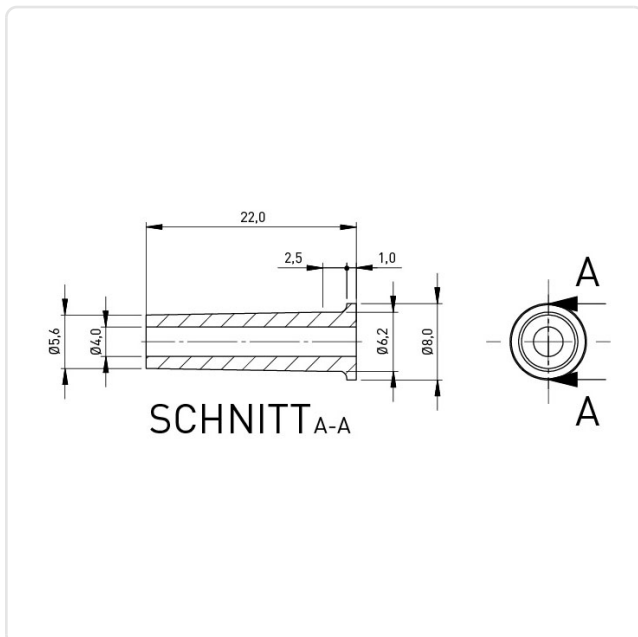


Image may be similar

Color: Black
Inner Diameter [mm]: 4
Material: CR - Polychloroprene
Material Group: Plastic
Mounting Hole [mm]: 6.2
Panel Thickness [mm]: 0
Weight: 0.58g
Conformities:



You can find all information on the web on our article detail page



Would you like individual advice?

We look forward to your email to products@ettinger.de.

Subject to change and errors.