

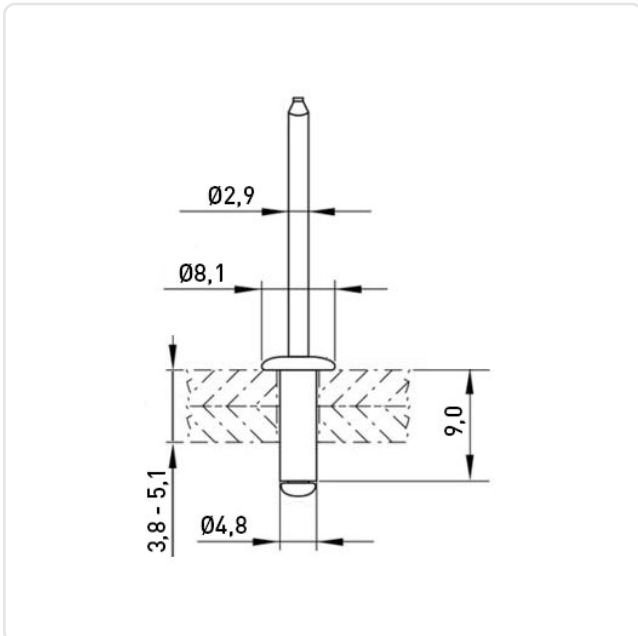
Article datasheet

## Blind Rivet Ø4.8x9.0 Aluminum Shell / Steel Mandrel

Article-No.: 001.08.458



Image may be similar



Finish:	Plain
Head Diameter [mm]:	8.1
Length [mm]:	9
Mandrel Diameter [mm]:	2.9
Material:	Aluminum Shell / Steel Mandrel
Mounting Hole [mm]:	4.9
Panel Thickness [mm]:	3,8-5,1
Rivet Diameter [mm]:	4.8
Weight:	3.35g
Conformities:	



You can find all information on the web on our article detail page

Would you like individual advice?

We look forward to your email to [products@ettinger.de](mailto:products@ettinger.de).

Subject to change and errors.