

Article datasheet

Lock Washer $\text{\O}6.4/10.0 \times 0.7$ A2 Plain Stainless Steel

Article-No.: 003.04.069

Manufacturer: SCHNORR

Manufacturer article-no.: 417900

SCHNORR
DISC SPRING ENGINEERING

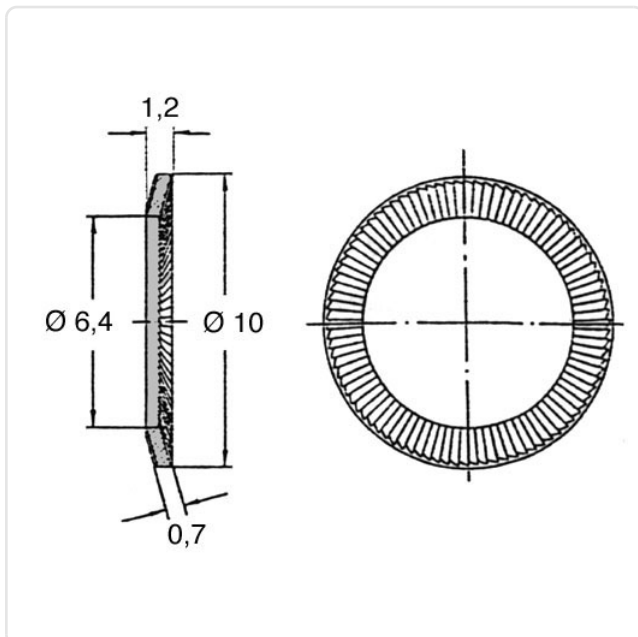


Image may be similar

Finish: Plain
For Thread Size: M6
Height [mm]: 0.7
Inner Diameter [mm]: 6.4
Material: Stainless Steel AISI 304 / A2
Material Group: Stainless Steel
Outer Diameter [mm]: 10
Weight: 0.21g
Conformities:



You can find all information on the web on our article detail page



Would you like individual advice?

We look forward to your email to products@ettinger.de.

Subject to change and errors.