

Article datasheet

Hex Standoff Threaded M3/SW5,5x15 Brass nickel-plated

Article-No.: 005.60.333

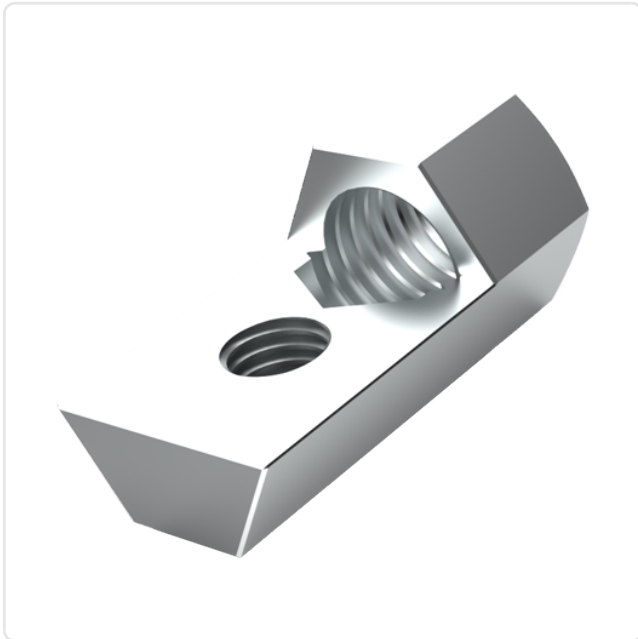
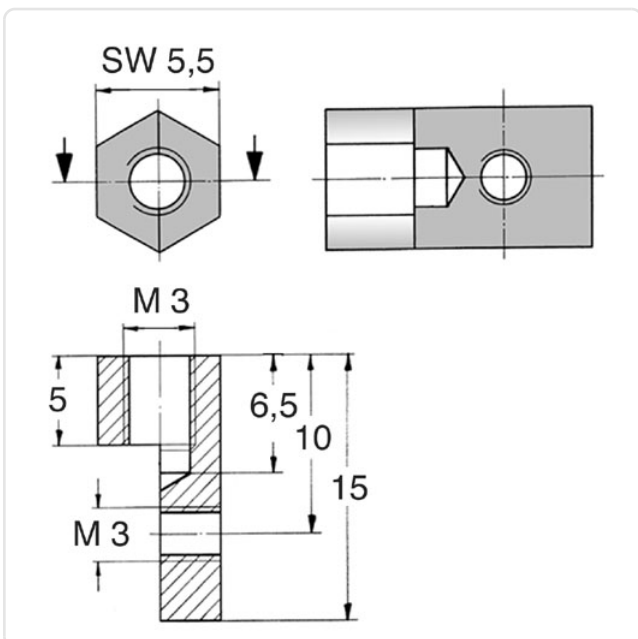


Image may be similar

Finish: Nickel-Plated, 3 µm, E1E
Length [mm]: 15
Material: Brass CW614N / CuZn39Pb3
Thread 1 / Hole 1: M3
Thread 1 Length [mm]: 5
Thread 2 / Hole 2: M3
Weight: 1.76g
Conformities:



You can find all
information on the web on
our article detail page



Would you like individual advice?

We look forward to your email to products@ettinger.de.

Subject to change and errors.