

Article datasheet

## Micro Wire Saddle $\varnothing 3\text{mm}$ 1.2-1.6mm Polyamid 6.6,natural UL94-V2 E70062

Article-No.: 072.78.766

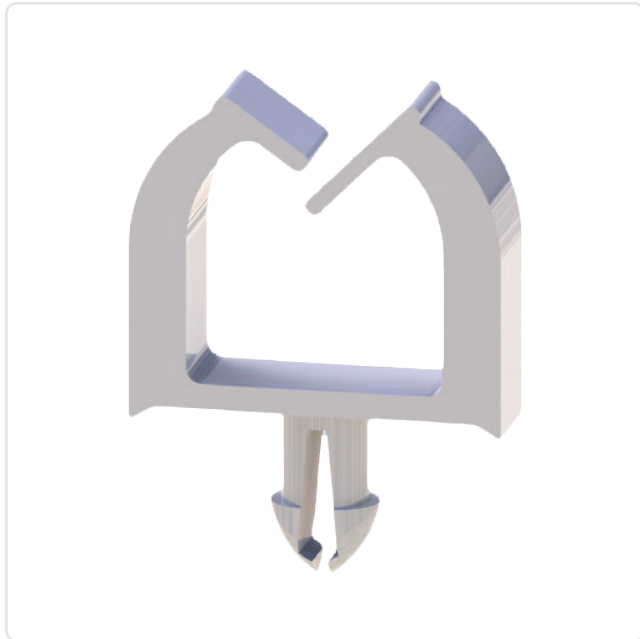
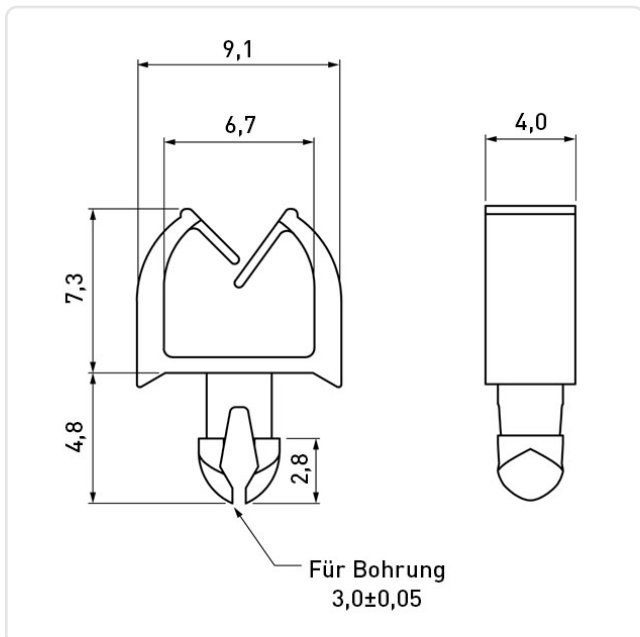


Image may be similar

Bundle Diameter [mm]: 2,0-5,0  
Color: Natural  
Height [mm]: 7.3  
Material: PA 6.6  
Mounting Hole [mm]: 3  
Panel Thickness [mm]: 1,2-1,6 mm  
Width [mm]: 9.1  
Weight: 0.14g  
Conformities:



You can find all information on the web on our article detail page



Would you like individual advice?

We look forward to your email to [products@ettinger.de](mailto:products@ettinger.de).

Subject to change and errors.