

Article datasheet

Automotive Blade Fuse Clip 5.2x0.64 for Blade Fuse .205x.025/Brass/30A

Article-No.: 015.06.081

Manufacturer: Keystone Electronics

Manufacturer article-no.: 3522

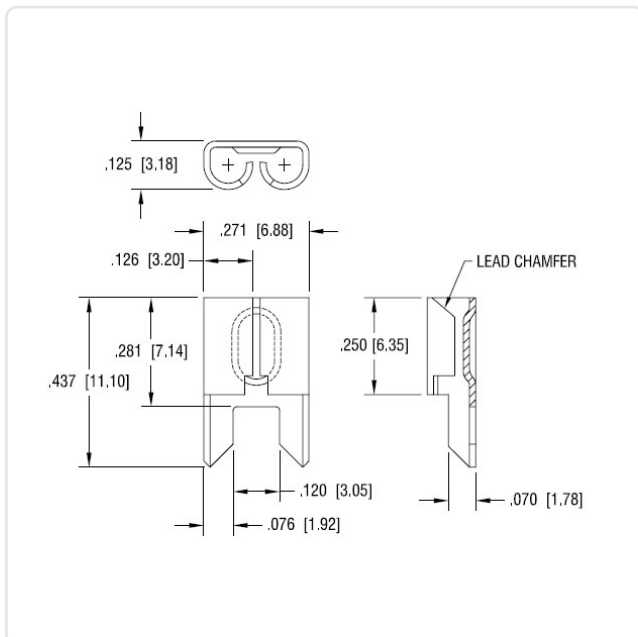


Image may be similar

Amperage [A]: 30
 Fuse Size [mm]: 5.2x0.64
 Material: Brass
 Material Group: Messing
 Model: Clip Holder
 Mounting Hole [mm]: 2.6
 Weight: 0.47g
 Conformities:



You can find all information on the web on our article detail page



Would you like individual advice?

We look forward to your email to products@ettinger.de.

Subject to change and errors.