

Article datasheet

## Insulating Sleeve 4.8mm PVC red

Article-No.: 012.99.482

Manufacturer: SES-Sterling

Manufacturer article-no.: 0105-0022-007

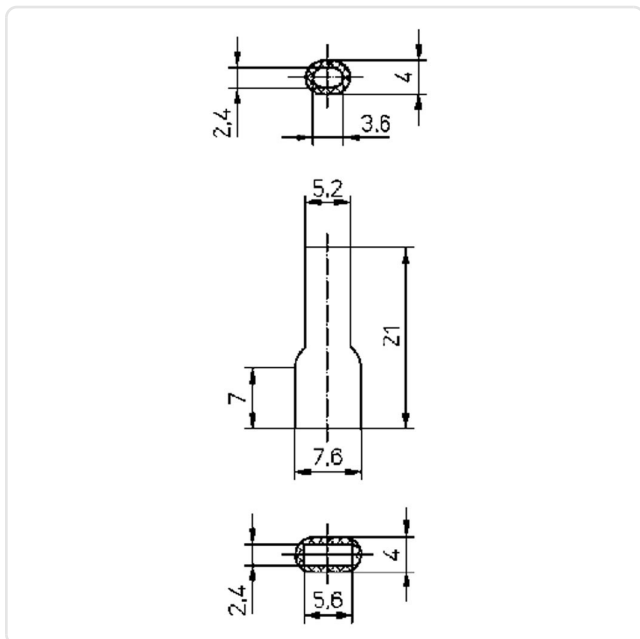


Image may be similar

Color: Red  
Insulation: PVC  
Length [mm]: 21  
Material: PVC - Polyvinyl Chloride  
Material Group: Plastic  
Weight: 0.3g  
Conformities:



You can find all  
information on the web on  
our article detail page



Would you like individual advice?

We look forward to your email to [products@ettinger.de](mailto:products@ettinger.de).

Subject to change and errors.