

Article datasheet

Combination Nut M5 Galvanized Steel Rotatable Washer

Article-No.: 002.09.115

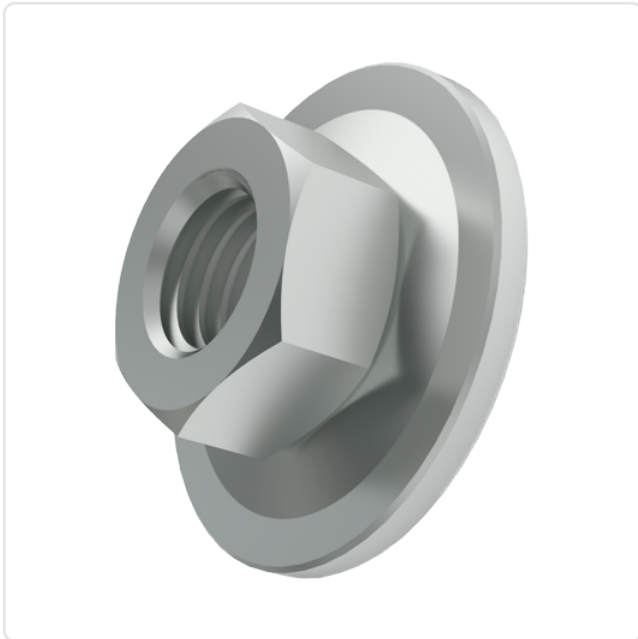


Image may be similar

AF / OD [mm]: 8
Finish: Galvanized, Blue, 5 µm, A2K
Height [mm]: 6
Material: Steel
Material Group: Stahl
Thread Size: M5
Weight: 1.74g
Conformities:



You can find all
information on the web on
our article detail page

Would you like individual advice?

We look forward to your email to products@ettinger.de.

Subject to change and errors.

