

Article datasheet

## Insulation sleeve $\varnothing 5.2/5.9/10 \times 3.0$ mm Polyamid 6 natural UL94-V2

Article-No.: 003.18.056

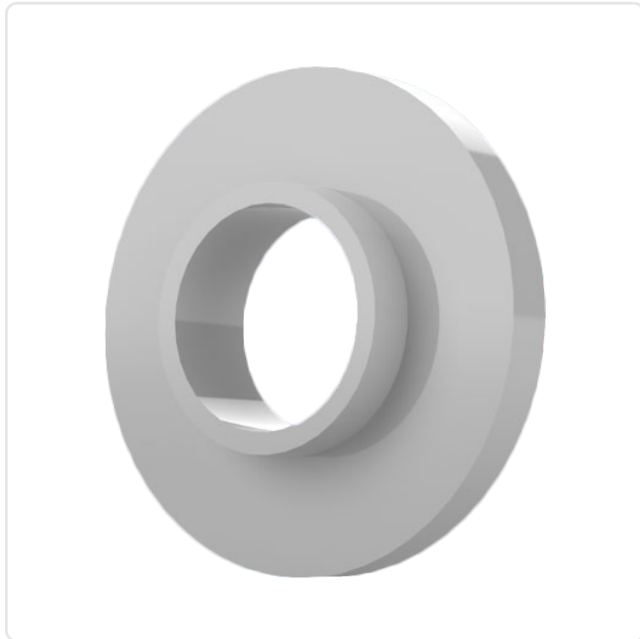
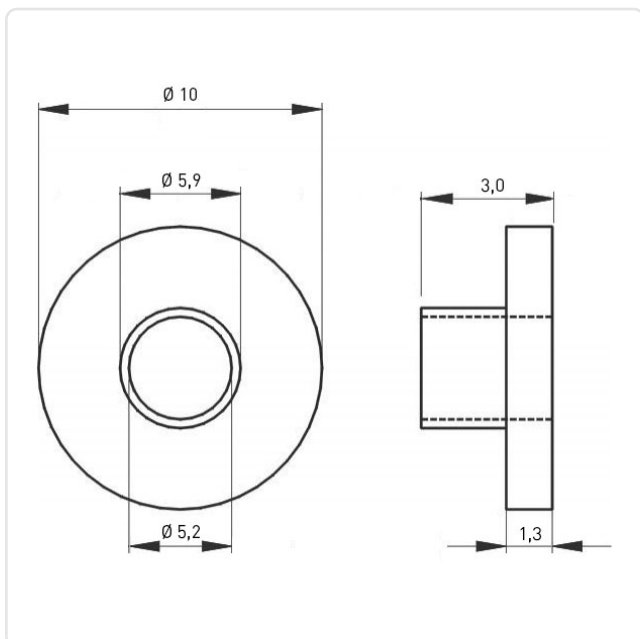


Image may be similar

Color:	Natural
Flammability Class:	UL94-V2
Height [mm]:	3
Inner Diameter [mm]:	5.2
Lug Diameter [mm]:	5.9
Material:	PA 6.0
Material Group:	Kunststoff
Model:	With Low Lug
Outer Diameter [mm]:	10
Weight:	0.1g
Conformities:	



You can find all  
information on the web on  
our article detail page



Would you like individual advice?

We look forward to your email to [products@ettinger.de](mailto:products@ettinger.de).

Subject to change and errors.