

Article datasheet

Solder Terminal-Insulated-Teflon Press-Mount

Article-No.: 013.06.133

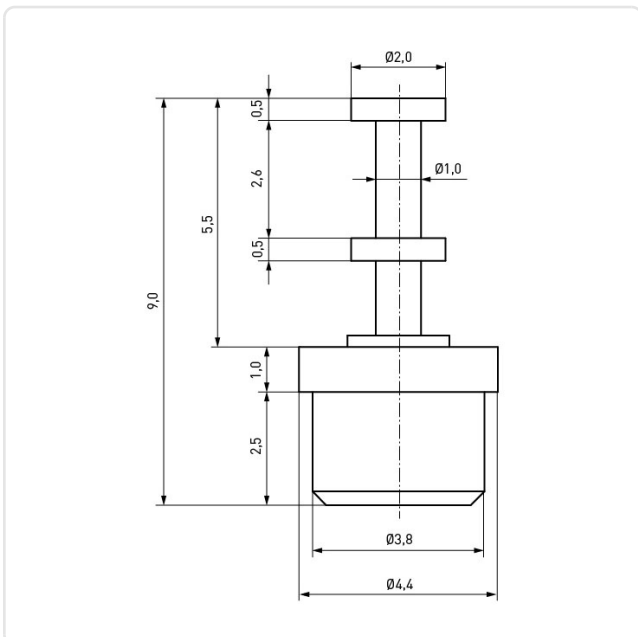


Image may be similar

Diameter [mm]: 4.4
Finish: Tin-Plated
Length [mm]: 9
Material: Brass
Model: round
PCB Hole Ø [mm]: 3.4
Weight: 0.18g
Conformities:



You can find all
information on the web on
our article detail page



Would you like individual advice?

We look forward to your email to products@ettinger.de.

Subject to change and errors.