

Article datasheet

Battery Contact Plus for A+AA cells Spring steel nickel-plated

Article-No.: 015.84.733

Manufacturer: Keystone Electronics

Manufacturer article-no.: 5224

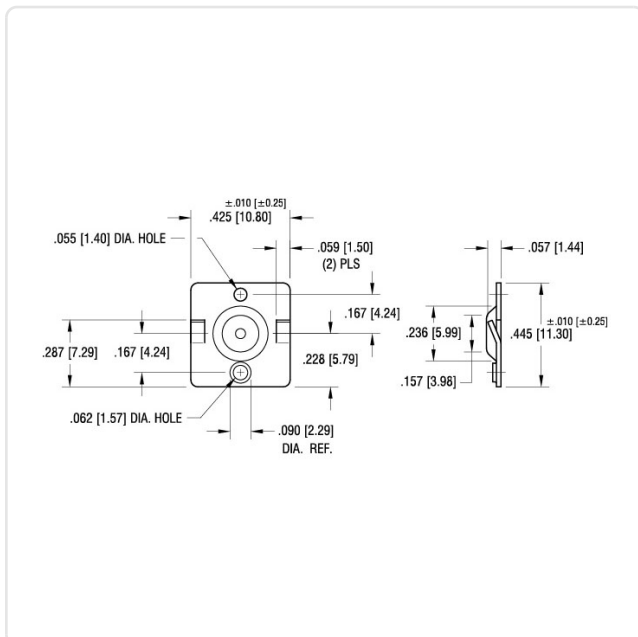


Image may be similar

Battery Type: AA-Mignon
 Finish: Nickel-Plated, 3 µm, E1E
 Material: Spring Steel
 Material Group: Steel
 Width [mm]: 10.8
 Weight: 0.48g
 Conformities:



You can find all information on the web on our article detail page



Would you like individual advice?

We look forward to your email to products@ettinger.de.

Subject to change and errors.