

Article datasheet

## Ball Knob, bright polished / similar DIN319-C/ø25/black

Article-No.: 002.34.560

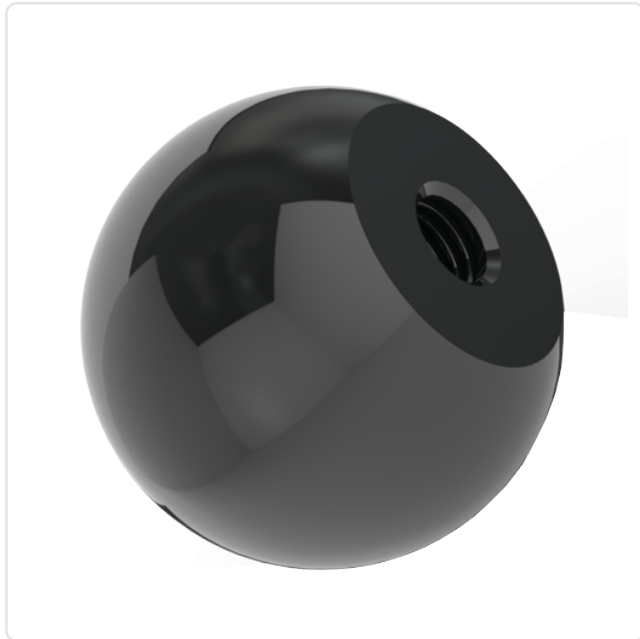
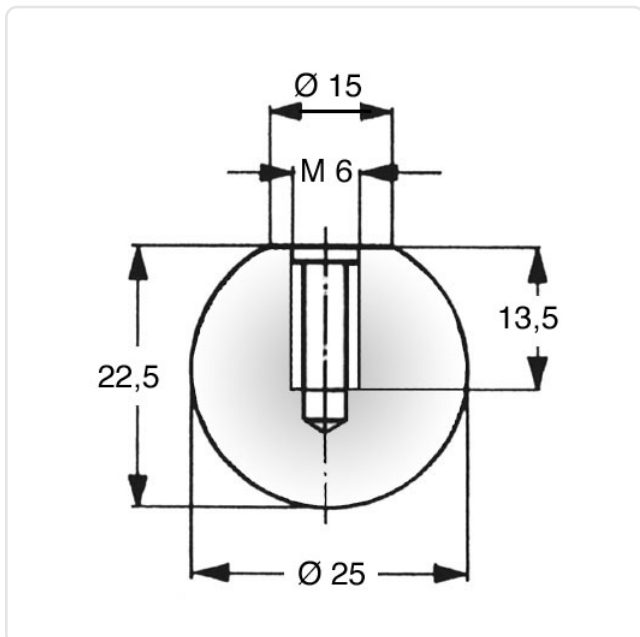


Image may be similar

Color: Black  
Diameter [mm]: 25  
Material: PA 6.0  
Material Group: Zink-Druckguss  
Thread Size: M6  
Weight: 9.93g  
Conformities:



You can find all  
information on the web on  
our article detail page



Would you like individual advice?

We look forward to your email to [products@ettinger.de](mailto:products@ettinger.de).

Subject to change and errors.