

Article datasheet

Batteryholder 4x"AA" Mignon cells Polyamid 6.0 with 2.8x0.5mm terminals

Article-No.: 015.34.712

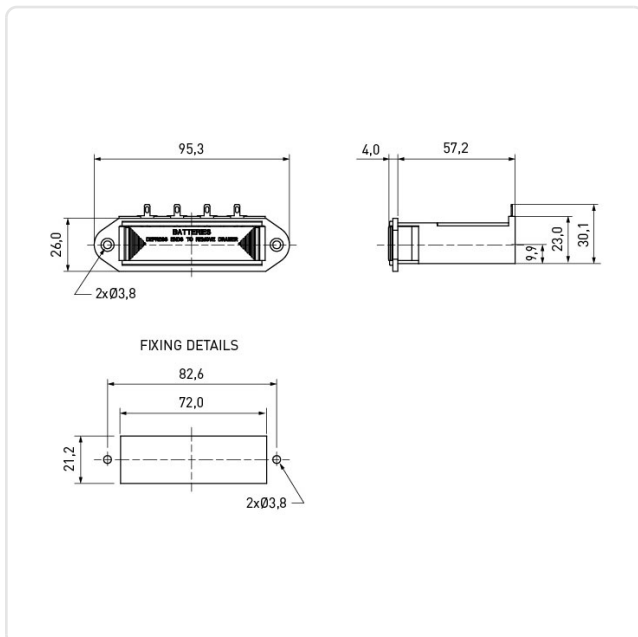


Image may be similar

Battery Type: AA-Mignon
 Material: PA 6.0 25% GF
 Material Group: Plastic
 Model: Drawer
 No. Cells: 4
 Weight: 58g
 Conformities:



You can find all information on the web on our article detail page



Would you like individual advice?

We look forward to your email to products@ettinger.de.

Subject to change and errors.