

Article datasheet

## PC Automotive Fuse Clip 5.2x0.64mm Brass nickel-plated 15Amps 500V AC

Article-No.: 015.06.089

Manufacturer: Keystone Electronics

Manufacturer article-no.: 3550-2

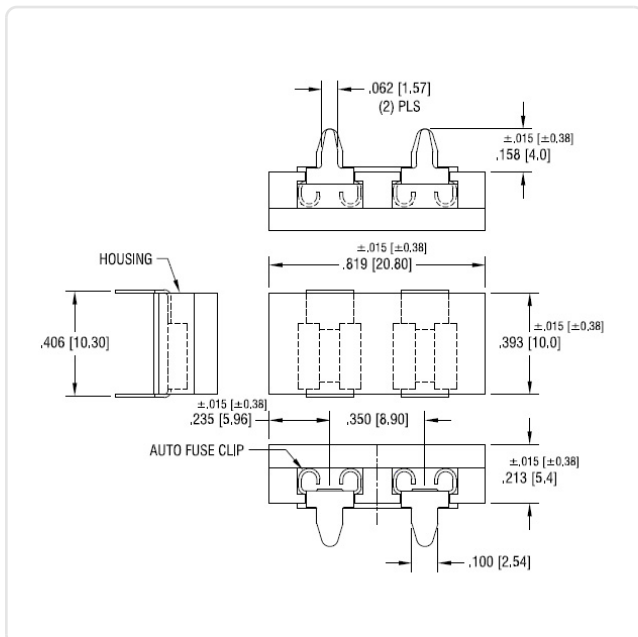


Image may be similar

Amperage [A]: 30  
 Fuse Size [mm]: 5.2x0.64  
 Material: Brass  
 Material Group: Brass  
 Model: Fuse Holder  
 Mounting Hole [mm]: 2.65  
 Weight: 1.85g  
 Conformities:



You can find all information on the web on our article detail page



Would you like individual advice?

We look forward to your email to [products@ettinger.de](mailto:products@ettinger.de).

Subject to change and errors.