

Article datasheet

## Cube Standoff Threaded M4/10x10x10 Brass nickel plated

Article-No.: 005.60.543

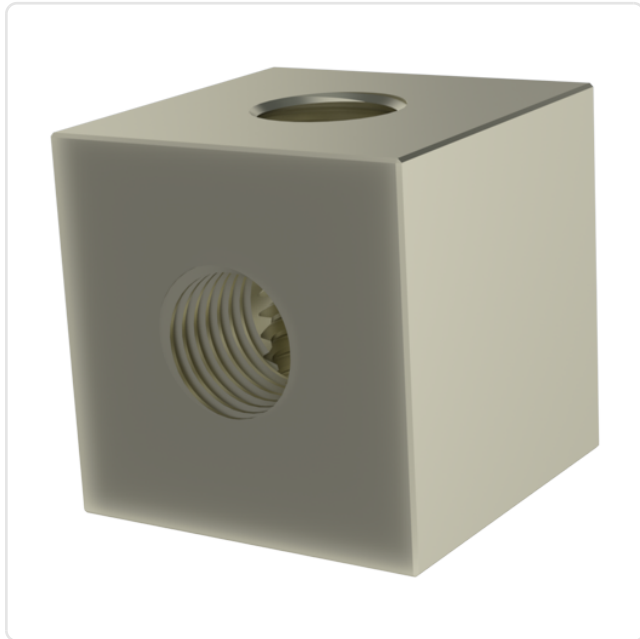
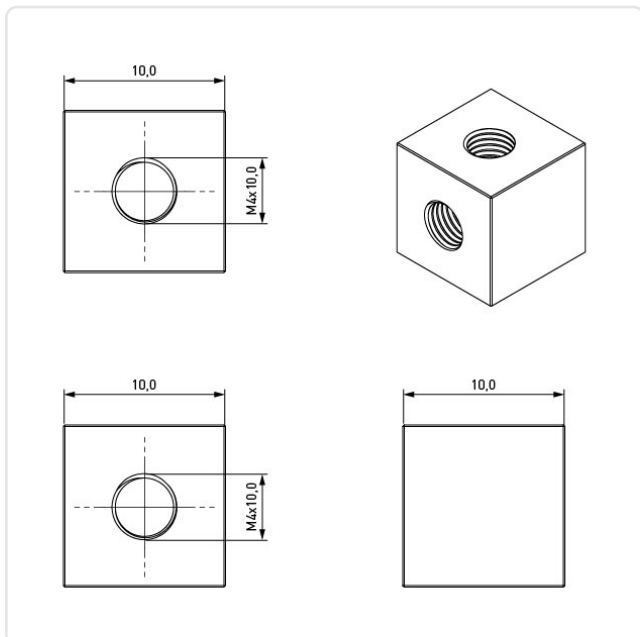


Image may be similar

Finish: Nickel-Plated, 3 µm, E1E  
Length [mm]: 10  
Material: Brass CW614N / CuZn39Pb3  
Thread 1 / Hole 1: M4  
Thread 1 Length [mm]: 10  
Thread 2 / Hole 2: M4  
Thread 2 Length [mm]: 10  
Weight: 6.81g  
Conformities:



You can find all information on the web on our article detail page



Would you like individual advice?

We look forward to your email to [products@ettinger.de](mailto:products@ettinger.de).

Subject to change and errors.