

Article datasheet

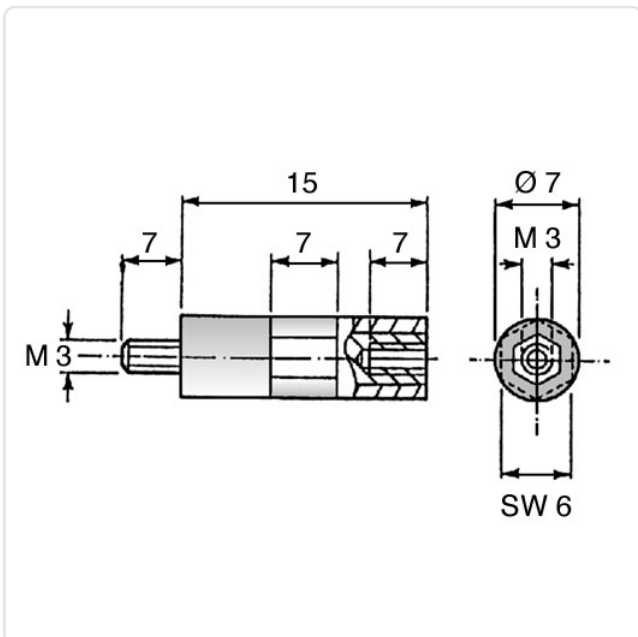
Insulated Standoff PBS-Steel M/F AF6x15 | F=M3x7 M=M3x7

Article-No.: 005.35.315



Image may be similar

AF / OD [mm]:	6
Female Thread Length [mm]:	7
Female Thread Size:	M3
Flammability Class:	UL94-HB
Length [mm]:	15
Male Thread Length [mm]:	7
Male Thread Size:	M3
Material:	PS - Polystyrene
Material Group:	Kunststoff
Profile:	Hexagonal
Thread Insert Material:	Steel
Weight:	1.48g
Conformities:	



You can find all information on the web on our article detail page

Would you like individual advice?

We look forward to your email to products@ettinger.de.

Subject to change and errors.