

Article datasheet

## Hole Grommet 6.4/9.5-2.4mm PVC black

Article-No.: 014.60.674

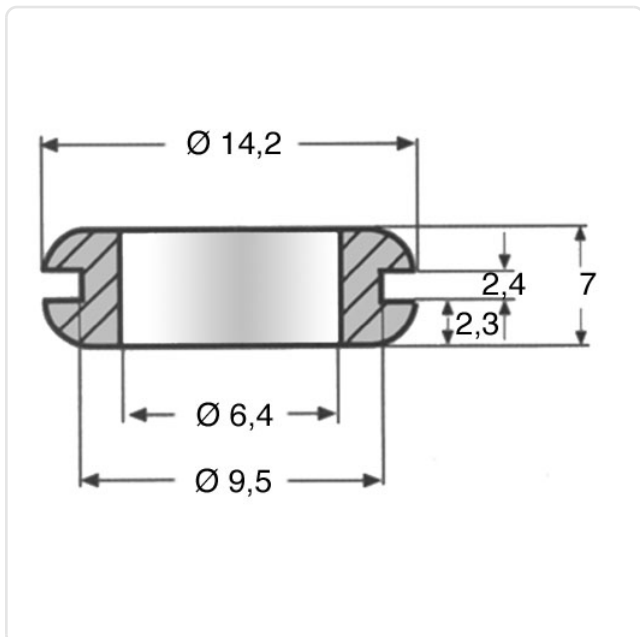


Image may be similar

Color:	Black
Inner Diameter [mm]:	6.4
Material:	PVC - Polyvinyl Chloride
Material Group:	Kunststoff
Max. Panel Thickness [mm]:	2.4
Mounting Hole [mm]:	9.5
Weight:	0.8g
Conformities:	



You can find all  
information on the web on  
our article detail page



Would you like individual advice?

We look forward to your email to [products@ettinger.de](mailto:products@ettinger.de).

Subject to change and errors.