

Article datasheet

Insulating Sleeve 6.3mm PVC black

Article-No.: 012.99.680

Manufacturer: SES-Sterling

Manufacturer article-no.: 0105 0001 010

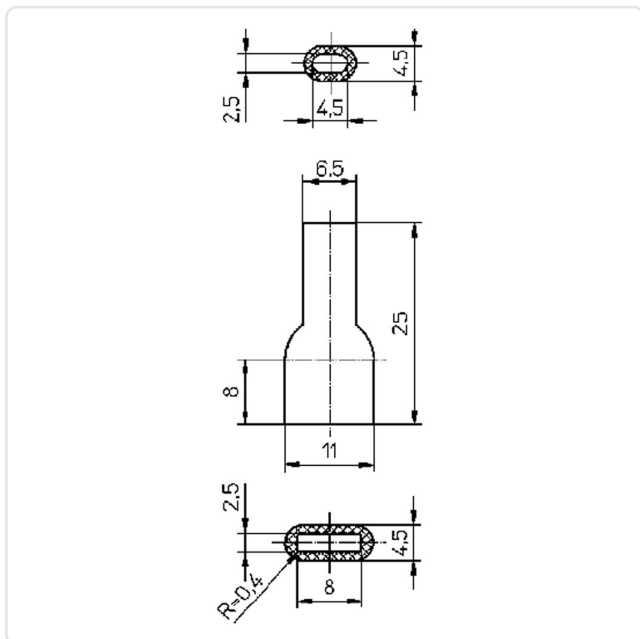


Image may be similar

Color: Black
Insulation: PVC
Length [mm]: 25
Material: PVC - Polyvinyl Chloride
Material Group: Kunststoff
Weight: 0.57g
Conformities:



You can find all information on the web on our article detail page



Would you like individual advice?

We look forward to your email to products@ettinger.de.

Subject to change and errors.