

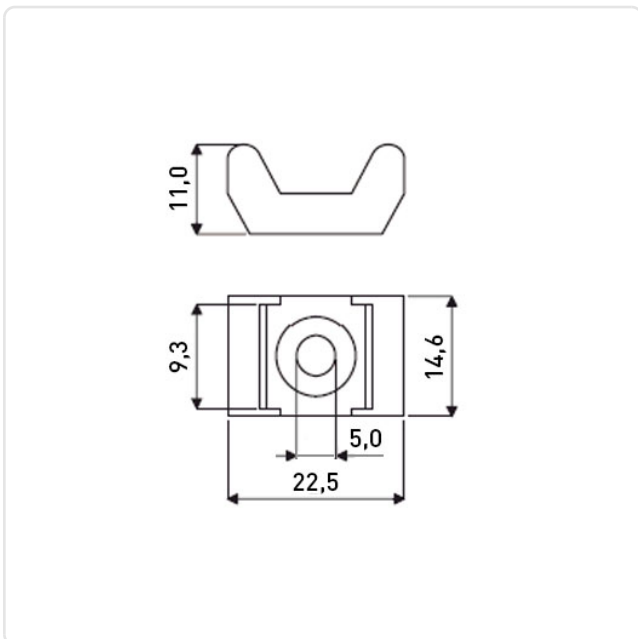
Article datasheet

Cable Tie Holder up to 9mm Polyamide 6.6 natur UL94-V2

Article-No.: 072.79.511



Image may be similar



Cable Tie Width max. [mm]:	9.0
Color:	Natural
Flammability Class:	UL94-V2
Height [mm]:	11
Length [mm]:	22.5
Material:	PA 6.6
Material Group:	Plastic
Model:	Screw Mounting
Width [mm]:	14.6
Weight:	1.57g
Conformities:	



You can find all
information on the web on
our article detail page

Would you like individual advice?

We look forward to your email to products@ettinger.de.

Subject to change and errors.