

Article datasheet

PC Fuse Clip for $\varnothing 5 \times 20 \text{mm}$ fuse Brass tinned/max. 6Amps

Article-No.: 015.06.125

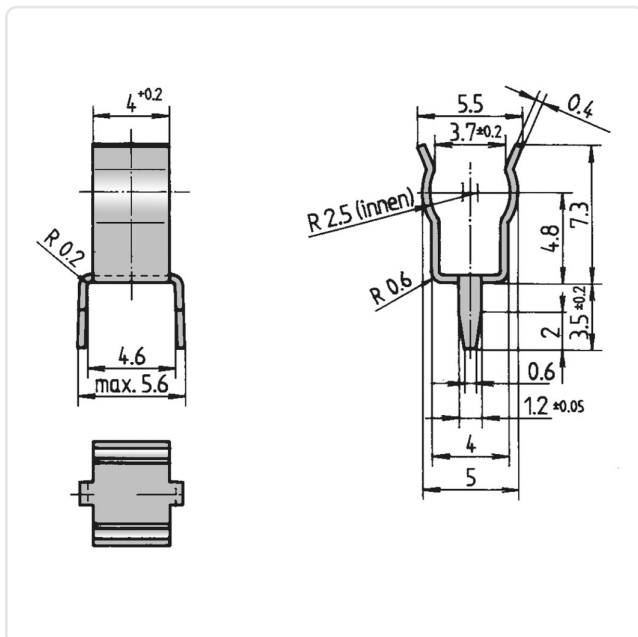


Image may be similar

Amperage [A]:	6
Fuse Size [mm]:	5.0x20.0
Material:	Brass
Material Group:	Messing
Model:	Clip Holder
Mounting Hole [mm]:	1.3
Weight:	0.41g
Conformities:	



You can find all information on the web on our article detail page



Would you like individual advice?

We look forward to your email to products@ettinger.de.

Subject to change and errors.