




Article datasheet

Split Washer DIN7980 Ø4.1/7.0 x 1.2 A1 Plain Stainless Steel

Article-No.: 003.68.042

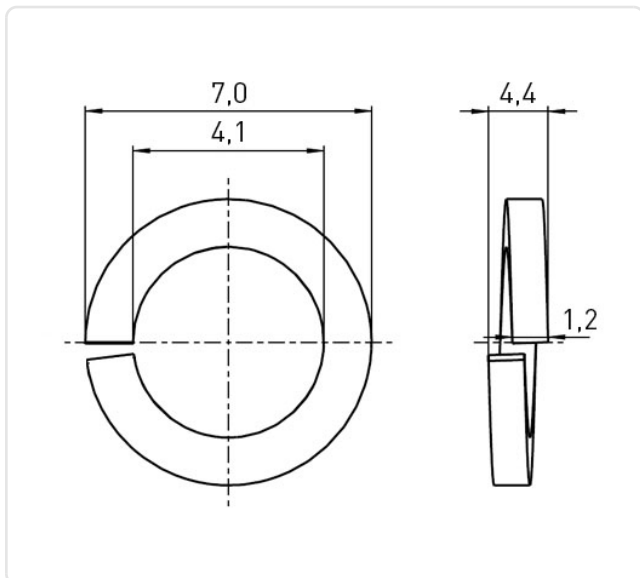


Image may be similar

DIN/ISO:	DIN7980
Finish:	Plain
For Thread Size:	M4
Height [mm]:	1.2
Inner Diameter [mm]:	4.1
Material:	Stainless Steel AISI 303 / A1
Material Group:	Stainless Steel
Outer Diameter [mm]:	7
Weight:	0.17g
Conformities:	  



You can find all information on the web on our article detail page



Would you like individual advice?

We look forward to your email to products@ettinger.de.

Subject to change and errors.