

Article datasheet

Hole Grommet 8.0/11.0-1.5mm Polychloropren (Neopren) black

Article-No.: 014.71.815

Manufacturer: SES-Sterling

Manufacturer article-no.: 0252 0028 010

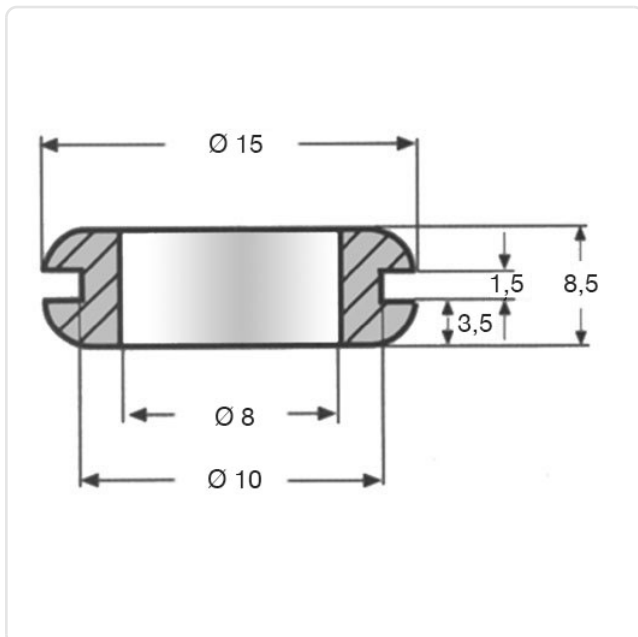


Image may be similar

Color: Black
Inner Diameter [mm]: 8
Material: CR - Polychloroprene
Material Group: Plastic
Max. Panel Thickness [mm]: 1.5
Mounting Hole [mm]: 10
Weight: 1.48g
Conformities:



You can find all information on the web on our article detail page



Would you like individual advice?

We look forward to your email to products@ettinger.de.

Subject to change and errors.