

Article datasheet

LED Mount for rectangular LEDs 3mm Polyamid,white UL94-V0

Article-No.: 063.19.130

Manufacturer: BIVAR

Manufacturer article-no.: RL1-120

BIVAR

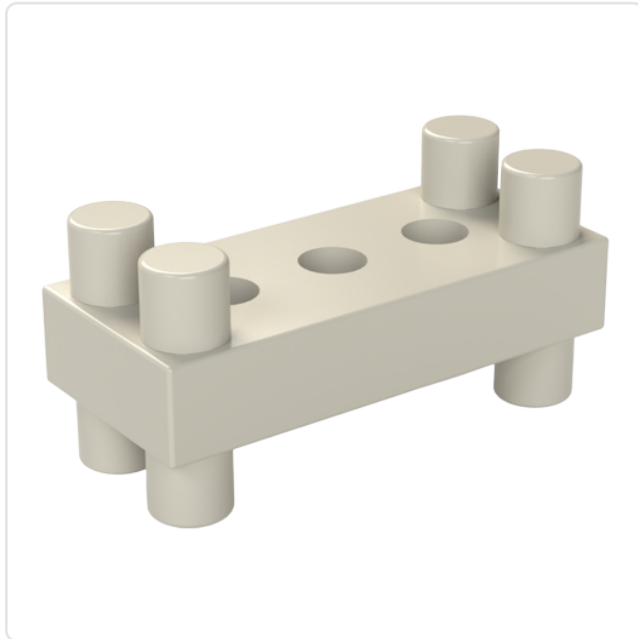
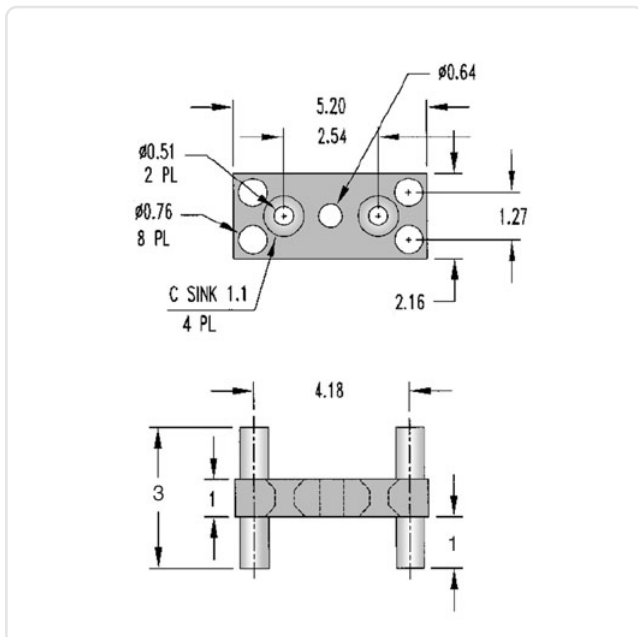


Image may be similar

Color: White
 Flammability Class: UL94-V0
 Length [mm]: 3
 Material: PA 6.6
 Material Group: Zink-Druckguss
 Width [mm]: 2.3
 Weight: 0.02g
 Conformities:



You can find all information on the web on our article detail page



Would you like individual advice?

We look forward to your email to products@ettinger.de.

Subject to change and errors.