

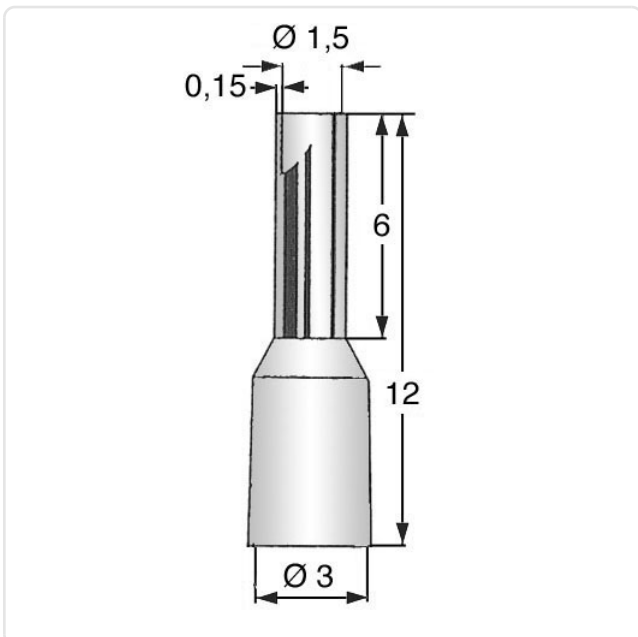
Article datasheet

End-Sleeve DIN 46228/D 1mm² 6mm Polypropylen yellow - not UL listed

Article-No.: 018.80.103



Image may be similar



| | |
|--|---------------------|
| Color: | Yellow |
| Finish: | Tin-Plated |
| Insulation: | Polypropylene |
| Length [mm]: | 12.4 |
| Material: | Electrolytic Copper |
| Material Group: | Copper |
| Plug-In Length [mm]: | 6 |
| Wire Cross Section [mm ²]: | 1.0 |
| Weight: | 0.08g |
| Conformities: | |



You can find all information on the web on our article detail page

Would you like individual advice?

We look forward to your email to products@ettinger.de.

Subject to change and errors.