

Article datasheet

Card Guide for 1/16" thick PCB - 50mm Polyamid glass-fiber UL94-V0

Article-No.: 075.35.658

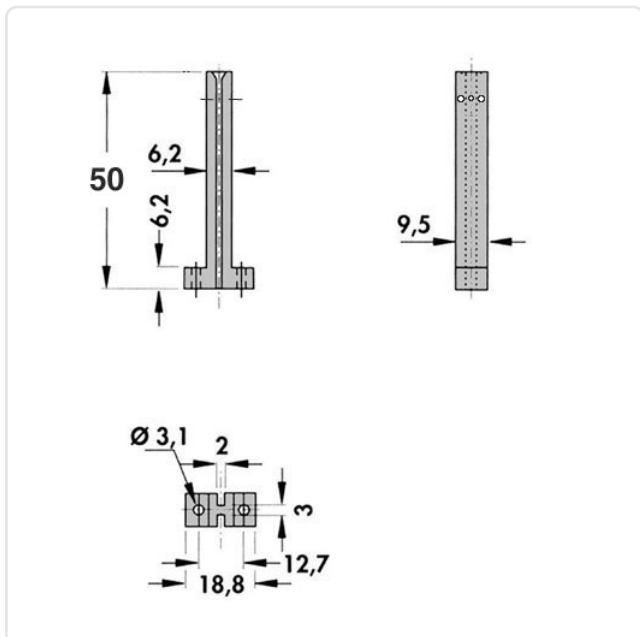


Image may be similar

Color:	Gray
Dist. Mounting Holes [mm]:	12.7
Flammability Class:	UL94-V0
Length [mm]:	50
Material:	PA 6.6
Model:	Screw Fastening
Width [mm]:	6.5
Weight:	4.41g
Conformities:	



You can find all information on the web on our article detail page



Would you like individual advice?

We look forward to your email to products@ettinger.de.

Subject to change and errors.