

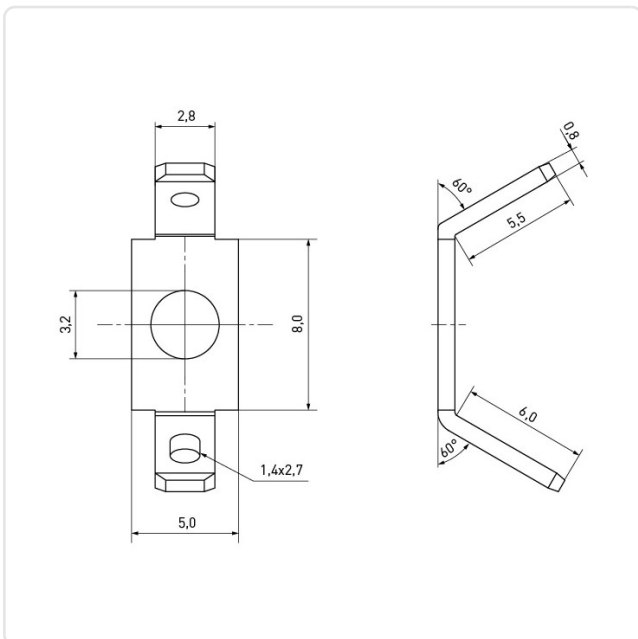
Article datasheet

Blade Terminal 2x 2.8x0.8 | 60° | ø3.2 Tin-Plated Brass

Article-No.: 019.28.831



Image may be similar



Bending Angle [°]:	60
Finish:	Tin-Plated
Material:	Brass
Material Group:	Messing
Mounting Hole [mm]:	3.2
Plug-In Length [mm]:	5.5
Size [mm]:	2.8x0.8
Tabs:	2
Weight:	0.39g
Conformities:	



You can find all
information on the web on
our article detail page

Would you like individual advice?

We look forward to your email to products@ettinger.de.

Subject to change and errors.