

Article datasheet

Handle 225x23mm plastic cover black with spring-steel insert

Article-No.: 029.04.208

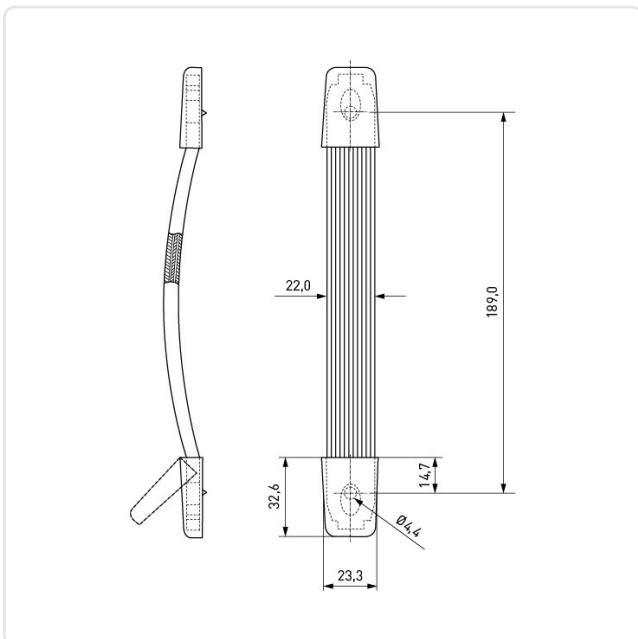


Image may be similar

Color: Black
Finish: Nickel-Plated, 3 µm, E1E
Material: Steel
Material Group: Steel
Model: Carrying Handle
Thread Size: M5
Weight: 64g
Conformities:



You can find all
information on the web on
our article detail page



Would you like individual advice?

We look forward to your email to products@ettinger.de.

Subject to change and errors.