

Article datasheet

Mounting Bracket 9.5x9.5x7.1mm/90° Brass,nickel-plated/2 holes ø3.6mm

Article-No.: 014.81.113

Manufacturer: Keystone Electronics

Manufacturer article-no.: 633



Image may be similar

Finish: Nickel-Plated, 3 µm, E1E

Material: Brass

Material Group: Brass

Model: Right-Angled

Thread 1 / Hole 1: Ø 3,6

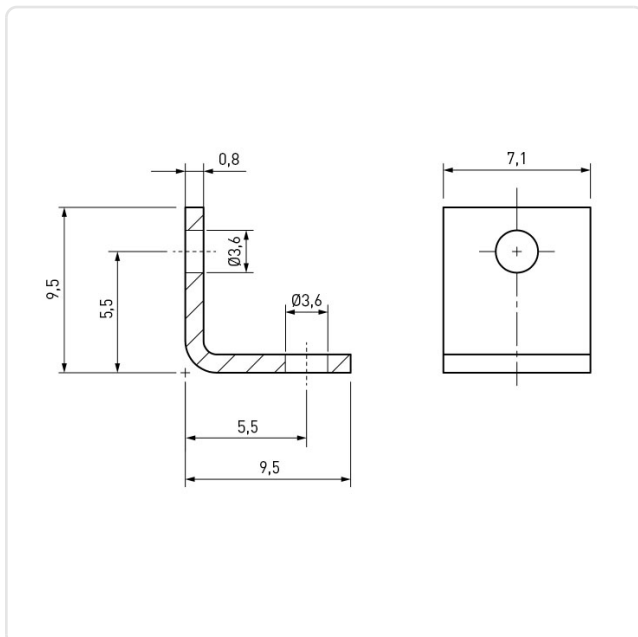
Thread 2 / Hole 2: Ø 3,6

Weight: 0.72g

Conformities:



You can find all information on the web on our article detail page



Would you like individual advice?

We look forward to your email to products@ettinger.de.

Subject to change and errors.