

Article datasheet

Component Clip-Sub C (Baby) cells Steel,nickel-plated

Article-No.: 015.89.263

Manufacturer: Keystone Electronics

Manufacturer article-no.: 221

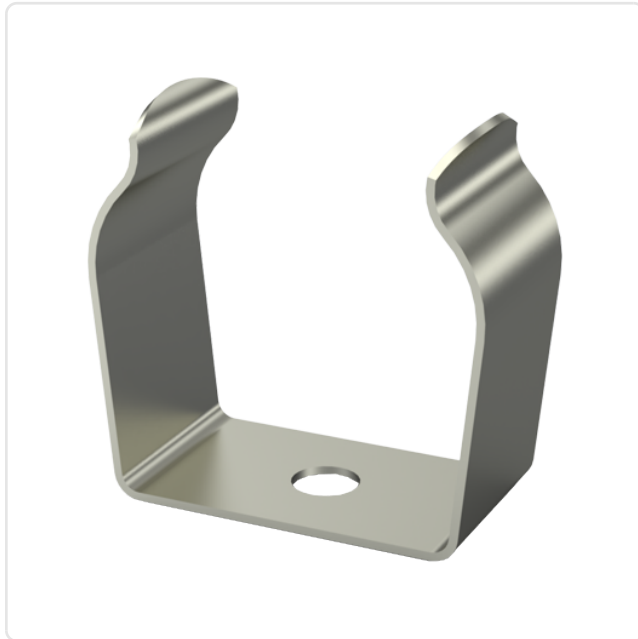
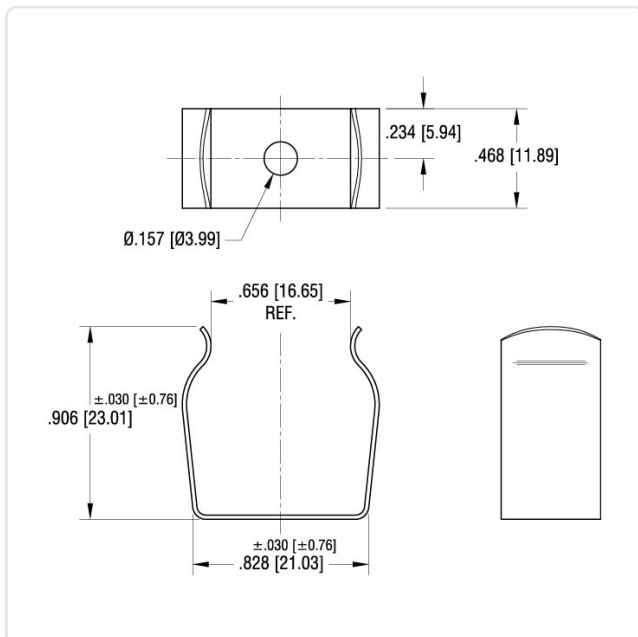


Image may be similar

Battery Type: C-Baby
 Finish: Nickel-Plated, 3 µm, E1E
 Material: Spring Steel
 Material Group: Steel
 Width [mm]: 11.9
 Weight: 3.14g
 Conformities:



You can find all information on the web on our article detail page



Would you like individual advice?

We look forward to your email to products@ettinger.de.

Subject to change and errors.