

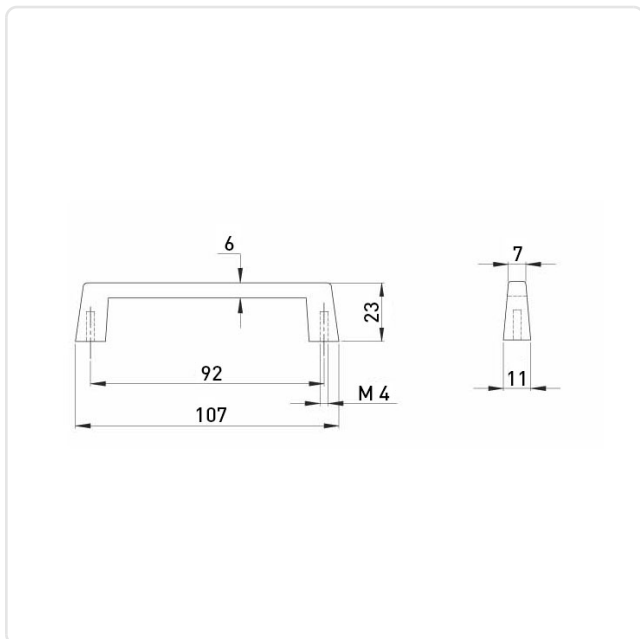
Article datasheet

Plastic Handle black M4, A=92 mm

Article-No.: 029.06.930



Image may be similar



Color:	Black
Dist. Mounting Holes [mm]:	92
Finish:	Plain
Height [mm]:	23
Material:	Plastic
Model:	Equipment Handle
Thread Size:	M4
Width [mm]:	11
Weight:	9.28g
Conformities:	



You can find all
information on the web on
our article detail page

Would you like individual advice?

We look forward to your email to products@ettinger.de.

Subject to change and errors.