

Article datasheet

Self-Tapping Screw for Plastic 2.5x8 DPT Galvanized Q&T Steel Pozi Pan Head

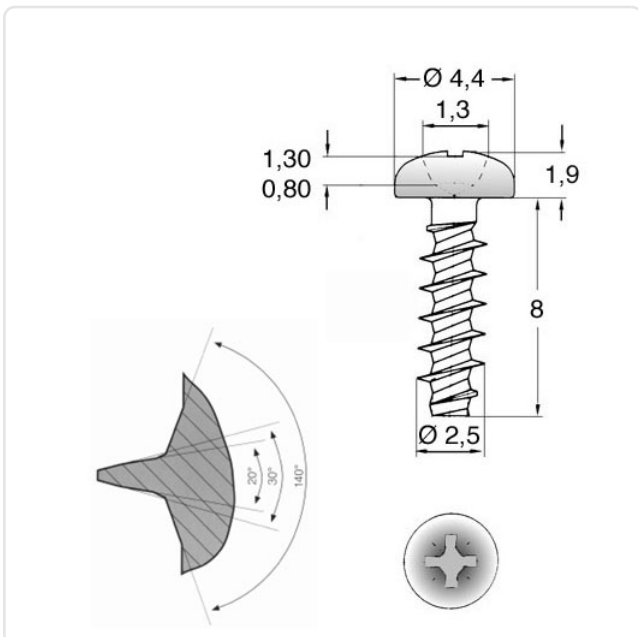
Article-No.: 001.93.231



Actuator Size:	Pozidriv PZ1
Drive Type:	Cross Recess / Pozidriv-Z
Finish:	Galvanized, Blue, 5 µm, A2K
Head Diameter [mm]:	4.4
Head Height [mm]:	1.7
Head Shape:	Pan Head
Length [mm]:	8
Material:	Q&T Steel
Material Group:	Stahl
Thread Diameter [mm]:	Ø 2.5
Thread Type:	Delta PT Thread
Weight:	0.37g
Conformities:	



Image may be similar



You can find all information on the web on our article detail page

Would you like individual advice?

We look forward to your email to products@ettinger.de.

Subject to change and errors.