

Article datasheet

## Lock Nut DIN6926/ISO7043 M4 A4 Plain Stainless Steel

Article-No.: 002.09.444

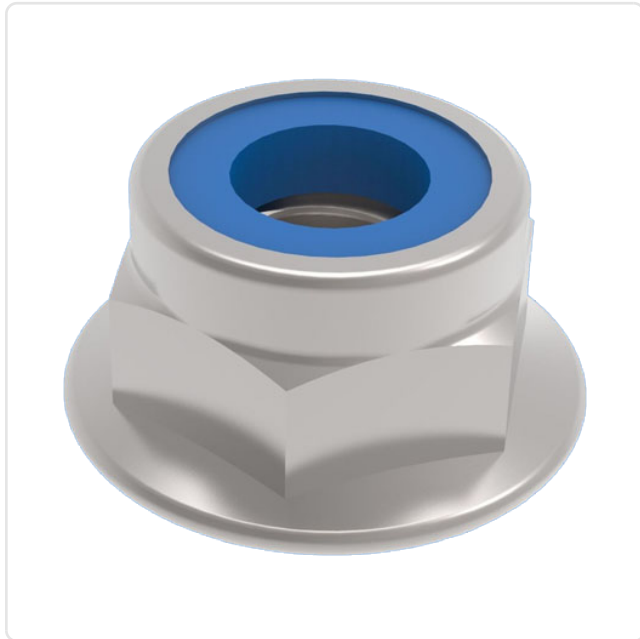
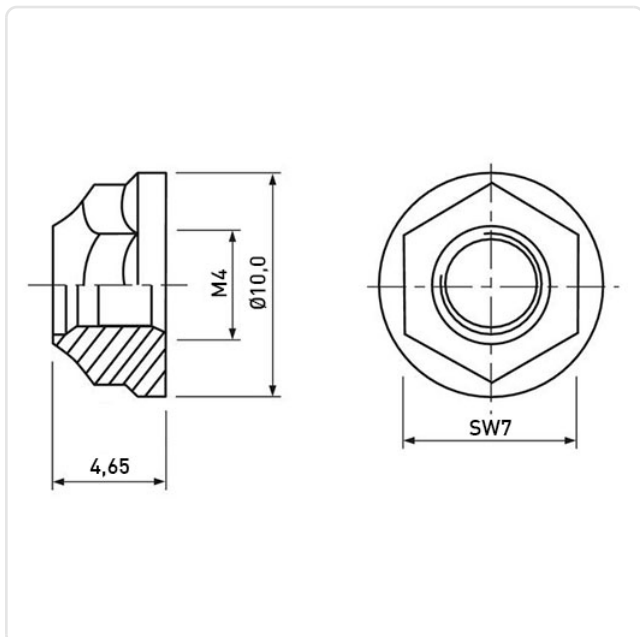


Image may be similar

AF / OD [mm]: 7  
DIN/ISO: DIN6926 / ISO7043  
Finish: Plain  
Material: Stainless Steel AISI 316 / A4  
Material Group: Stainless Steel  
Thread Size: M4  
Weight: 1.55g  
Conformities:



You can find all  
information on the web on  
our article detail page



Would you like individual advice?

We look forward to your email to [products@ettinger.de](mailto:products@ettinger.de).

Subject to change and errors.