

Article datasheet

IEC Connector C14 Twin Fused 5x20mm Nylon UL94-V0 black 6.3x0.8mm terminals

Article-No.: 039.74.562

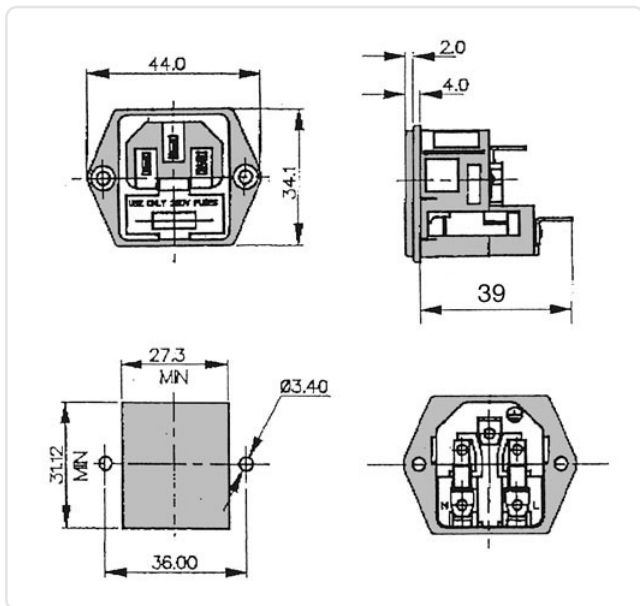


Image may be similar

Amperage [A]: 10
Color: Black
Connections: 6.3x0.8
Fuse Size [mm]: 5.0x20.0
Model: Plug, Screw Mounting
Weight: 18g
Conformities:



You can find all
information on the web on
our article detail page



Would you like individual advice?

We look forward to your email to products@ettinger.de.

Subject to change and errors.