

Article datasheet

## Retaining Ring Ø3.2/7.0 x 1.0 POM black

Article-No.: 003.15.203

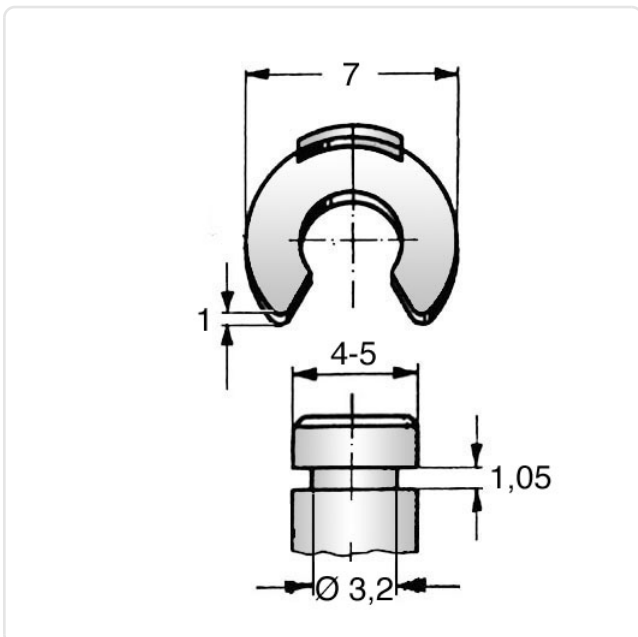


Image may be similar

Color: Black  
Height [mm]: 1  
Inner Diameter [mm]: 3.2  
Material: POM - Polyoxymethylene  
Material Group: Plastic  
Outer Diameter [mm]: 7  
Weight: 0.04g  
Conformities:



You can find all  
information on the web on  
our article detail page



Would you like individual advice?

We look forward to your email to [products@ettinger.de](mailto:products@ettinger.de).

Subject to change and errors.