

Article datasheet

## Tubular Rivet DIN7340 B 3.5x0.3x5.0 Plain Brass

Article-No.: 019.86.050

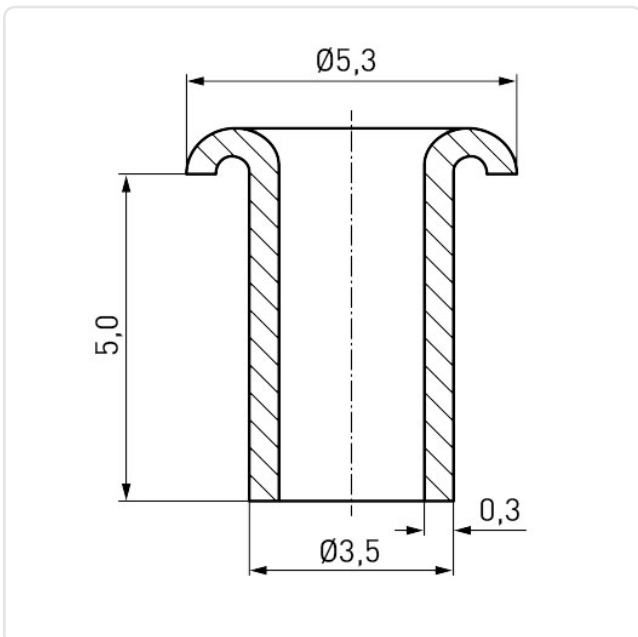


Image may be similar

DIN/ISO: DIN7340B  
Finish: Plain  
Head Diameter [mm]: 5.3  
Length [mm]: 5  
Material: Brass  
Rivet Diameter [mm]: 3.5  
Wall Thickness [mm]: 0.30  
Weight: 0.22g  
Conformities:



You can find all information on the web on our article detail page



Would you like individual advice?

We look forward to your email to [products@ettinger.de](mailto:products@ettinger.de).

Subject to change and errors.