

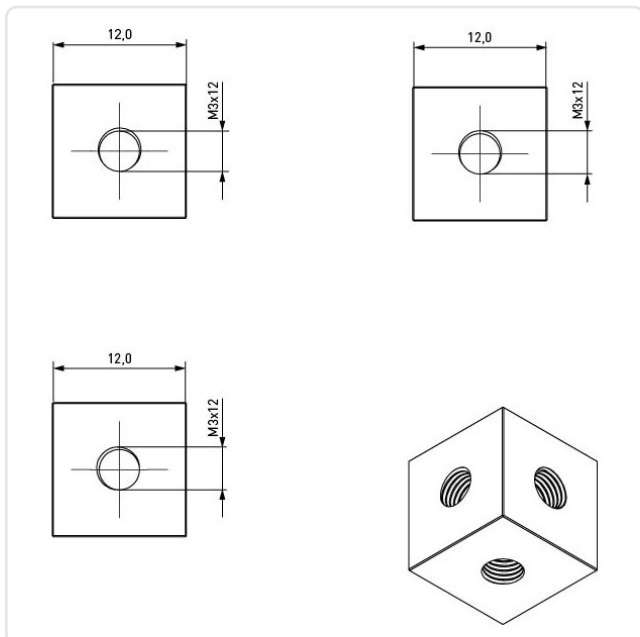
Article datasheet

## Mounting Cube 3xM3/12x12 Brass nickel plated

Article-No.: 005.60.534



Image may be similar



Finish: Nickel-Plated, 3 µm, E1E  
Length [mm]: 12  
Material: Brass CW614N / CuZn39Pb3  
Material Group: Brass  
Thread 1 Length [mm]: 12  
Thread 1/ Hole 1: M3  
Thread 2 Length [mm]: 12  
Thread 2/ Hole 2: M3  
Weight: 12.92g  
Conformities:



You can find all  
information on the web on  
our article detail page

Would you like individual advice?  
We look forward to your email to [products@ettinger.de](mailto:products@ettinger.de).

Subject to change and errors.