

Article datasheet

## Fan Guards Wire Form 1/4" Ring Spacing

Article-No.: 059.64.256

Manufacturer: Qualtek

Manufacturer article-no.: 08132

**Qualtek**

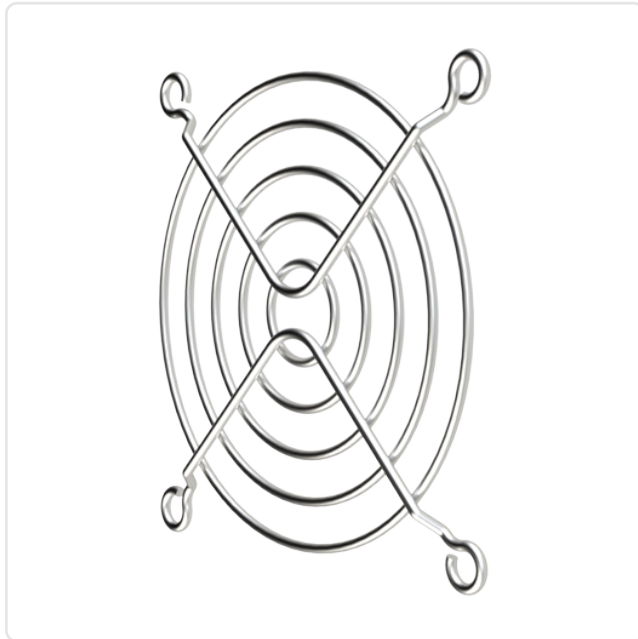


Image may be similar

Finish: Chrome-Plated

Lüftergröße [mm]: 80

Material: Steel

Material Group: Steel

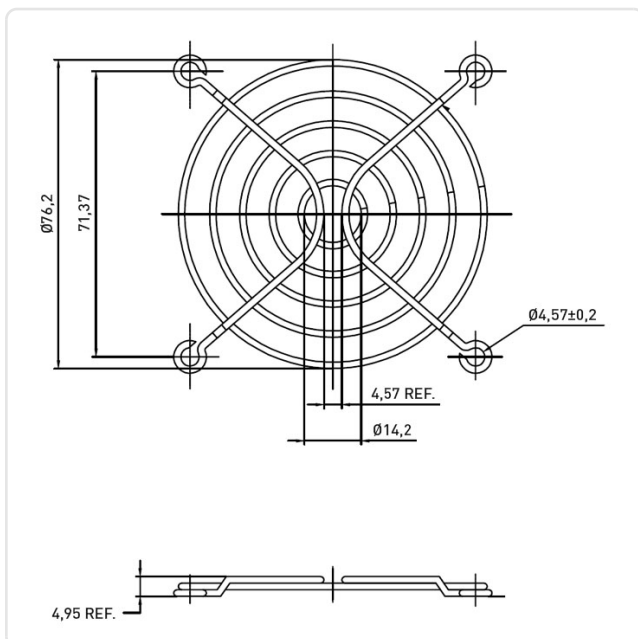
Model: Fan Guard

Weight: 17.34g

Conformities:



You can find all information on the web on our article detail page



Would you like individual advice?

We look forward to your email to [products@ettinger.de](mailto:products@ettinger.de).

Subject to change and errors.