

Article datasheet

## Mounting Bracket 19.1x19.1x14.2mm Alu,pure/hole ø5.0mm/slot 5.2mm

Article-No.: 014.82.118

Manufacturer: Keystone Electronics

Manufacturer article-no.: 4337

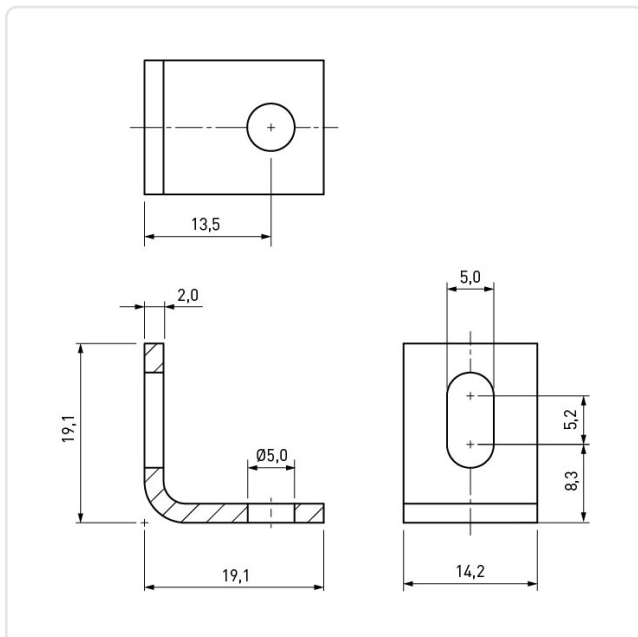


Image may be similar

Finish: Plain  
Material: Aluminum EN AW-6060  
Material Group: Aluminium  
Model: Right-Angled  
Thread 1/ Hole 1: Ø 5,0  
Width [mm]: 14.2  
Weight: 2.23g  
Conformities:



You can find all information on the web on our article detail page



Would you like individual advice?

We look forward to your email to [products@ettinger.de](mailto:products@ettinger.de).

Subject to change and errors.