

Article datasheet

Conical Spring Washer $\varnothing 2.7/5.1 \times 0.3$ Galvanized Spring Steel

Article-No.: 003.24.921

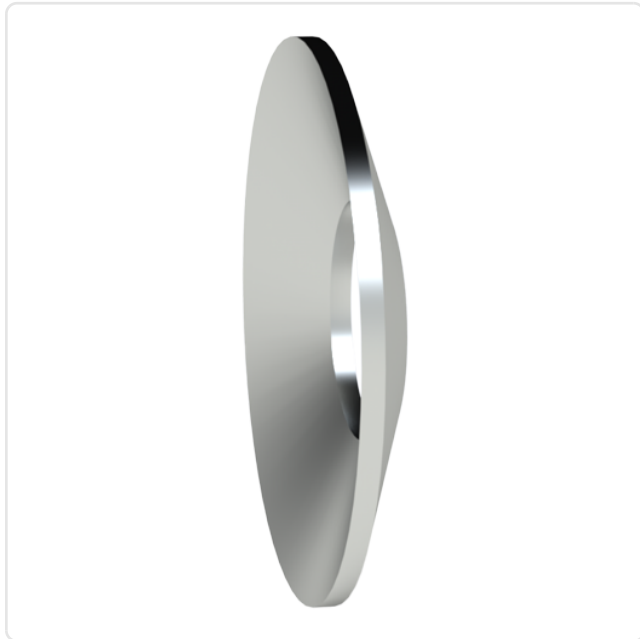
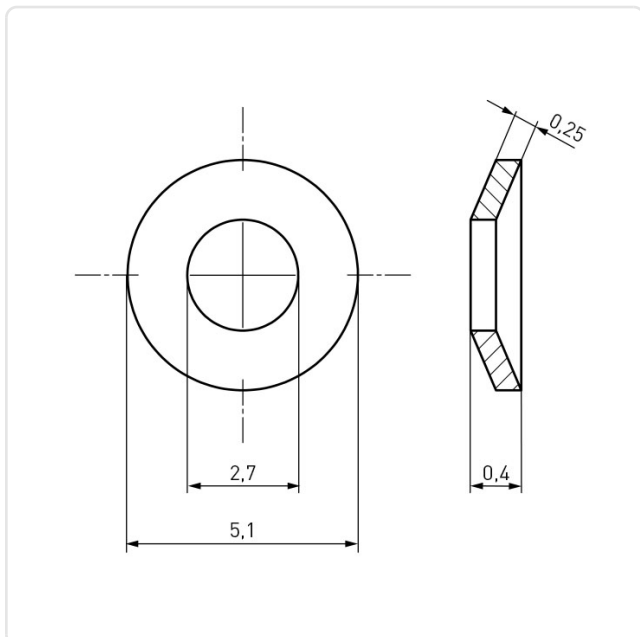


Image may be similar

Finish: Galvanized, Blue, 5 μm , A2K
For Thread Size: M2.5
Height [mm]: 0.25
Inner Diameter [mm]: 2.7
Material: Spring Steel
Material Group: Steel
Outer Diameter [mm]: 5.1
Weight: 0.03g
Conformities:



You can find all information on the web on our article detail page



Would you like individual advice?

We look forward to your email to products@ettinger.de.

Subject to change and errors.