

Article datasheet

## Ball Knob, bright polished / similar DIN319-C / ø32/M8 black

Article-No.: 002.34.780

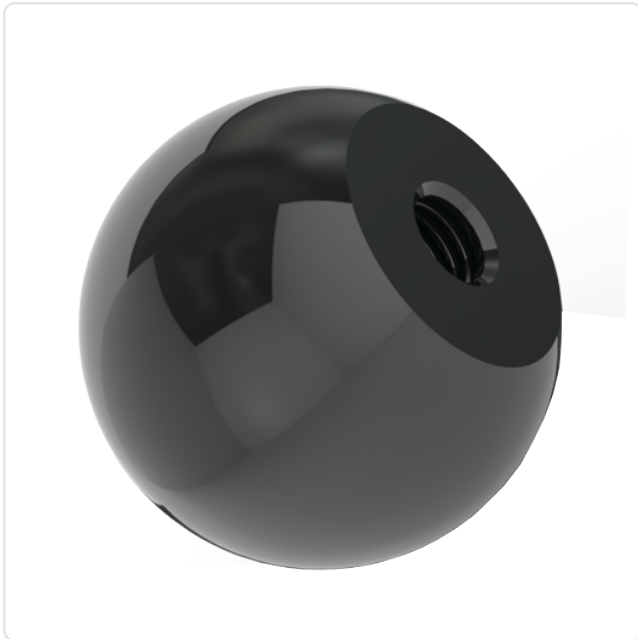
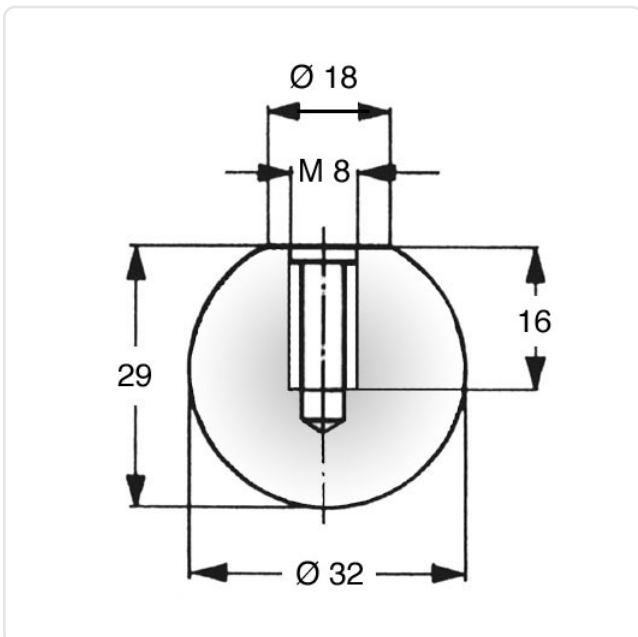


Image may be similar

Color: Black  
Diameter [mm]: 32  
Material: Polyamide 6.0  
Material Group: Die Cast Zinc  
Thread Size: M8  
Weight: 22.5g  
Conformities:



You can find all  
information on the web on  
our article detail page



Would you like individual advice?

We look forward to your email to [products@ettinger.de](mailto:products@ettinger.de).

Subject to change and errors.