

Article datasheet

## Solder Terminal Pin $\varnothing 1.0 \times 7.7$ mm Brass tinned with square press-in shaft

Article-No.: 013.14.077

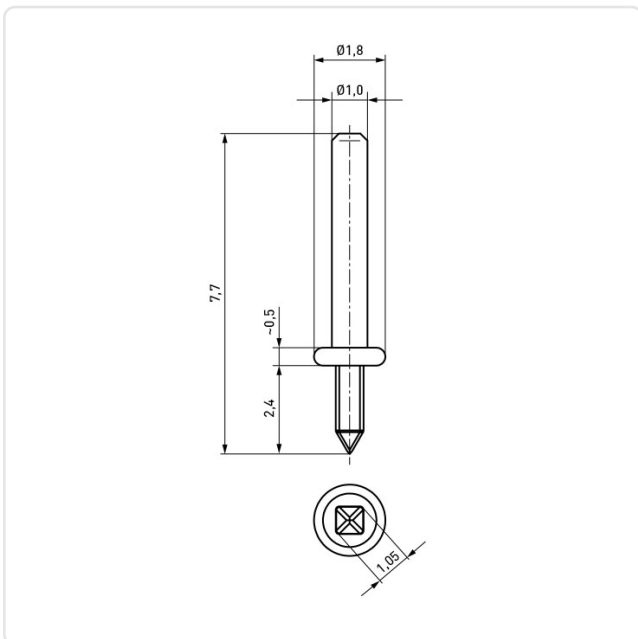


Image may be similar

Diameter [mm]: 1  
Finish: Tin-Plated  
Length [mm]: 7.7  
Material: Brass  
Material Group: Brass  
Model: square  
PCB Hole  $\varnothing$  [mm]: 1  
Weight: 0.07g  
Conformities:



You can find all information on the web on our article detail page



Would you like individual advice?

We look forward to your email to [products@ettinger.de](mailto:products@ettinger.de).

Subject to change and errors.