

Article datasheet

## Fan Guard, wire form, 150mm/6in, 10 rings, chrome-plated

Article-No.: 059.67.196

Manufacturer: Qualtek

Manufacturer article-no.: 08126

**Qualtek**

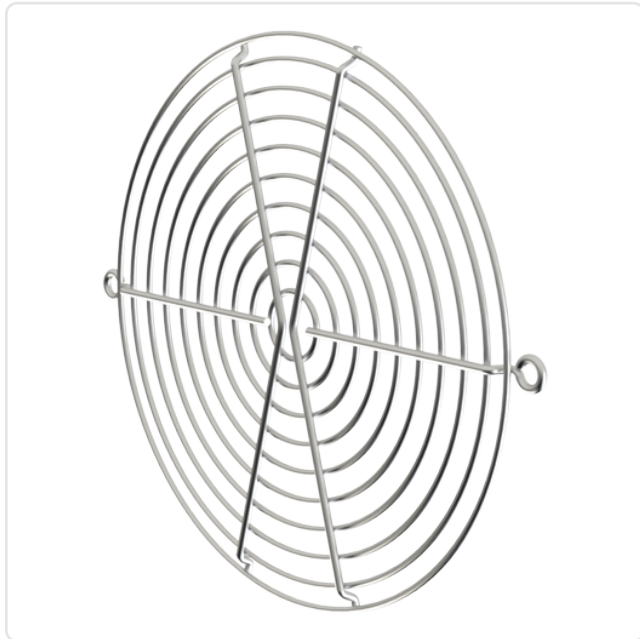


Image may be similar

Finish: Chrome-Plated

Lüftergröße [mm]: 150

Material: Steel

Material Group: Steel

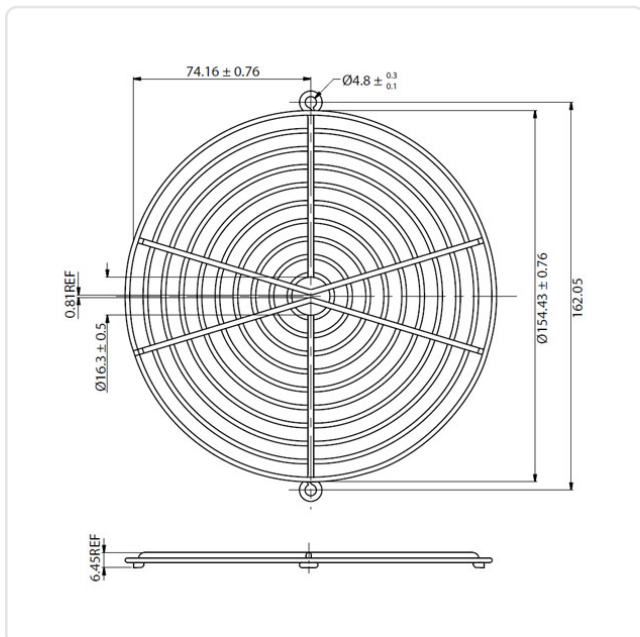
Model: Fan Guard

Weight: 70.95g

Conformities:



You can find all information on the web on our article detail page



Would you like individual advice?

We look forward to your email to [products@ettinger.de](mailto:products@ettinger.de).

Subject to change and errors.