

Article datasheet

## Cap for COM - Knob $\varnothing$ 40 mm with recess

Article-No.: 028.40.309

Manufacturer: OKW Gehäusesysteme

Manufacturer article-no.: A32.40.109

**OKW**  
GEHÄUSE  
SYSTEME

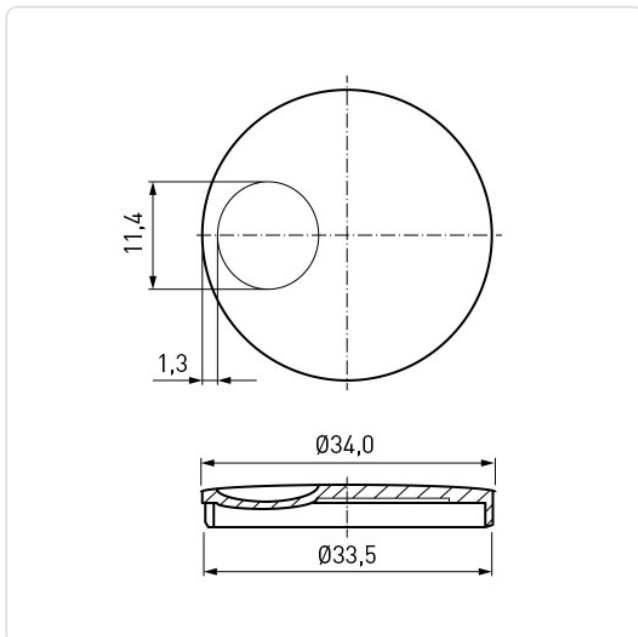


Image may be similar

Color: Black  
Material: PA 6  
Material Group: Plastic  
Model: Cap for COM Knob  
Outer Diameter [mm]: 40  
Weight: 2.3g  
Conformities:



You can find all  
information on the web on  
our article detail page



Would you like individual advice?

We look forward to your email to [products@ettinger.de](mailto:products@ettinger.de).

Subject to change and errors.