

Article datasheet

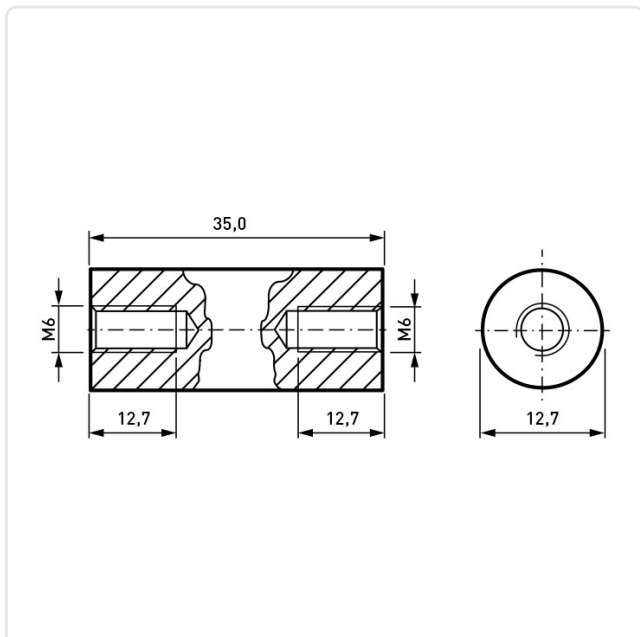
Insulated Standoff PA-Brass F/F $\varnothing 12.7 \times 35$ | Thread M6x12.7 / M6x12.7

Article-No.: 005.48.635



Image may be similar

AF / OD [mm]:	12.7
Flammability Class:	UL94-HB
Length [mm]:	35
Material:	PA 6.6
Material Group:	Plastic
Profile:	Round
Thread 1 Length [mm]:	12.7
Thread 1 Size:	M6
Thread 2 Length [mm]:	12.7
Thread 2 Size:	M6
Thread Insert Material:	Brass
Weight:	8.03g
Conformities:	



You can find all
information on the web on
our article detail page

Would you like individual advice?

We look forward to your email to products@ettinger.de.

Subject to change and errors.