

Article datasheet

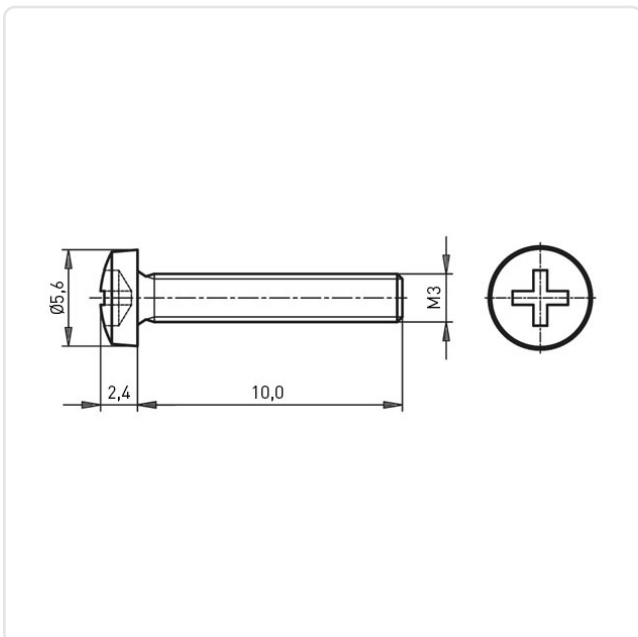
Flat Head Screw ISO7045 M3x10 PA-66 Cross Recess Pan Head

Article-No.: 001.47.340



Image may be similar

| | |
|---------------------|---------------------------|
| Actuator Size: | Phillips PH1 |
| Color: | Black |
| DIN/ISO: | DIN7985 / ISO7045 |
| Drive Type: | Cross Recess / Phillips-H |
| Flammability Class: | UL94-V2 |
| Head Diameter [mm]: | 6 |
| Head Height [mm]: | 2.4 |
| Head Shape: | Pan Head |
| Length [mm]: | 10 |
| Material: | PA 6.6 |
| Material Group: | Plastic |
| Thread Size: | M3 |
| Weight: | 0.11g |
| Conformities: | |



You can find all
information on the web on
our article detail page

Would you like individual advice?

We look forward to your email to products@ettinger.de.

Subject to change and errors.