

Article datasheet

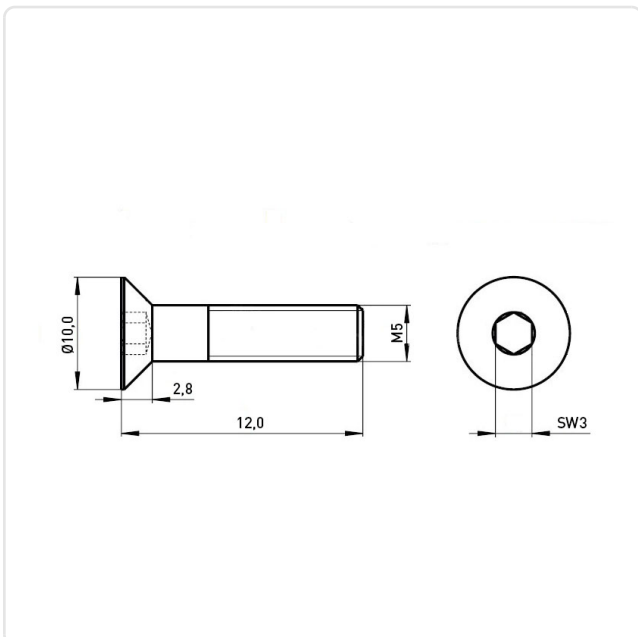
Countersunk Screw ISO10642 M5x12 Black Galv. Steel 10.9 Hexagon Socket

Article-No.: 001.19.550



Image may be similar

Actuator Size:	Hexagon Socket Hex3
DIN/ISO:	DIN7991 / ISO10642
Drive Type:	Hexagon Socket
Finish:	Galvanized, Black, 5 µm, A2R
Head Diameter [mm]:	10.2
Head Height [mm]:	3.1
Head Shape:	Countersunk Head
Length [mm]:	12
Material:	Steel 10.9
Material Group:	Steel
Thread Size:	M5
Weight:	3.88g
Conformities:	



You can find all
information on the web on
our article detail page

Would you like individual advice?

We look forward to your email to products@ettinger.de.

Subject to change and errors.