

Article datasheet

Cable Tie 3.4x210mm neon orange PA 6.6 UL94-V2 bundle Ø55mm

Article-No.: 072.34.218

Manufacturer: SES-Sterling

Manufacturer article-no.: 0186 0628 105

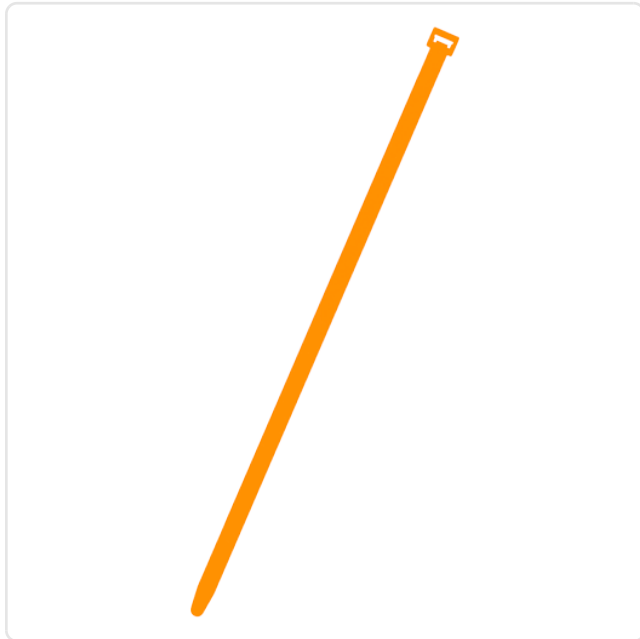
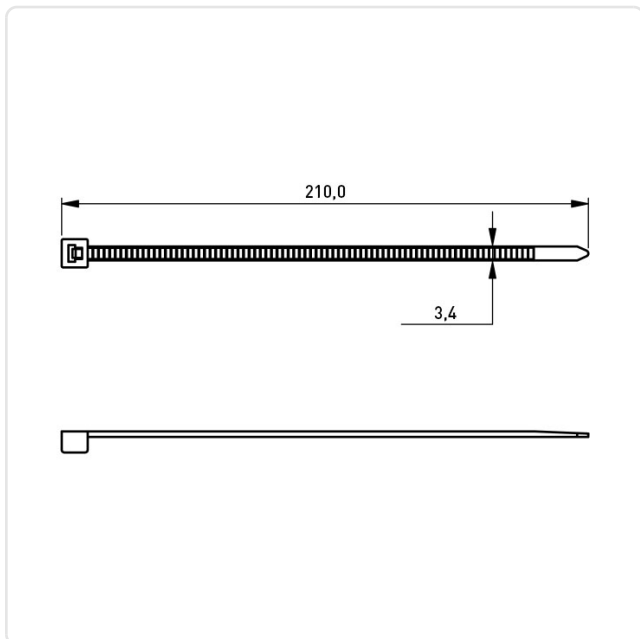


Image may be similar

Bundle Diameter [mm]: 40,0-58,0
Color: Orange
Flammability Class: UL94-V2
Length [mm]: 210
Material: PA 6.6
Material Group: Plastic
Width [mm]: 3.4
Conformities:



You can find all information on the web on our article detail page



Would you like individual advice?

We look forward to your email to products@ettinger.de.

Subject to change and errors.