

Article datasheet

## Standoff Yellow Galvanized Steel M/F AF7x20 F=M4x9 M=M4x8 w/ Undercut

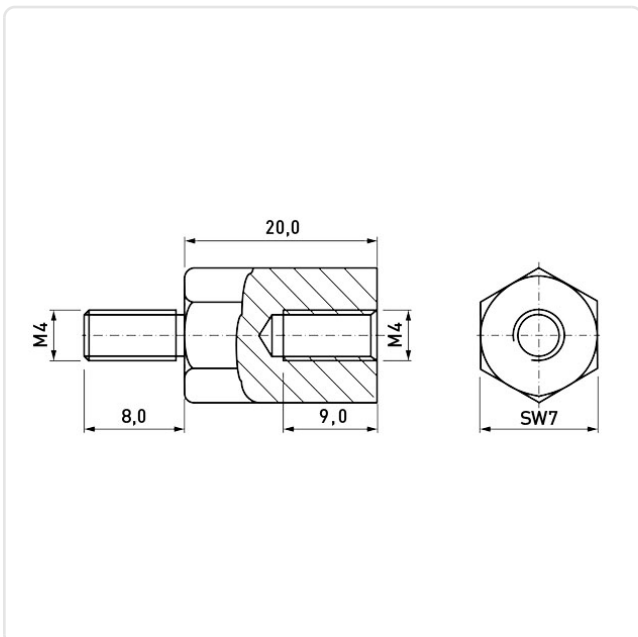
Article-No.: 005.14.204



AF / OD [mm]:	7
Female Thread Length [mm]:	9
Female Thread Size:	M4
Finish:	Galvanized, Yellow, 8 µm, A3G
Length [mm]:	20
Male Thread Length [mm]:	8
Male Thread Size:	M4
Material:	Steel AISI 12L13 / 11SMnPb30
Material Group:	Stahl
Profile:	Hexagonal
Undercut:	Yes
Weight:	6.09g
Conformities:	



Image may be similar



You can find all information on the web on our article detail page

Would you like individual advice?

We look forward to your email to [products@ettinger.de](mailto:products@ettinger.de).

Subject to change and errors.