

Article datasheet

Tubular Rivet DIN7340 A 2.5x0.3x5.0 Nickel-Plated Brass

Article-No.: 019.77.053

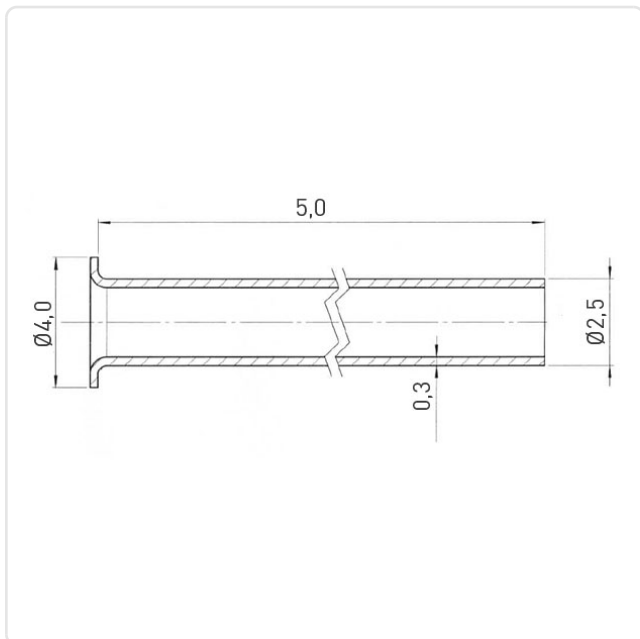


Image may be similar

DIN/ISO: DIN7340A
Finish: Nickel-Plated, 3 µm, E1E
Head Diameter [mm]: 4
Length [mm]: 5
Material: Brass
Rivet Diameter [mm]: 2.5
Weight: 0.1g
Conformities:



You can find all
information on the web on
our article detail page



Would you like individual advice?

We look forward to your email to products@ettinger.de.

Subject to change and errors.