

Article datasheet

Cage Nut M8 Panel Thk. Range 3.3-4.7mm A2 Plain Stainless Steel / Galv. Steel

Article-No.: 002.58.449

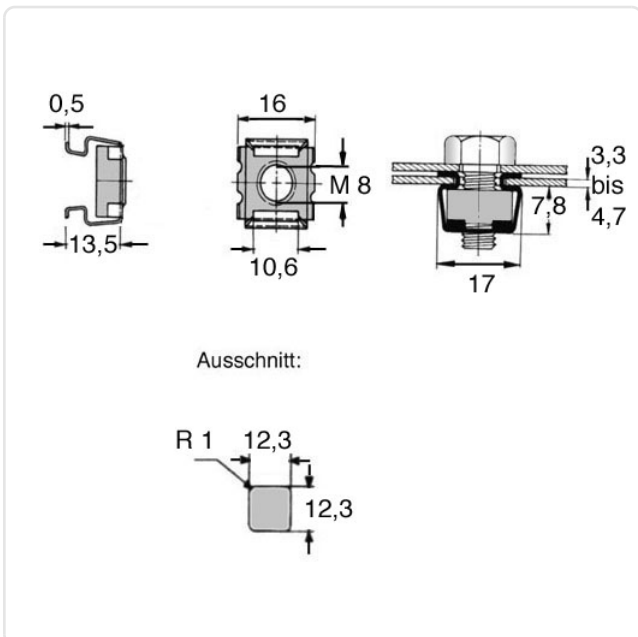


Image may be similar

Finish:	Plain Cage / Galvanized Nut
Height [mm]:	13.5
Material:	Käfig, rostfrei A2 / Mutter vzk
Material Group:	Steel
Panel Cutout [mm]:	12.3x12.3
Panel Thickness Range [mm]:	3,3-4,7
Thread Size:	M8
Weight:	8.48g
Conformities:	



You can find all information on the web on our article detail page



Would you like individual advice?

We look forward to your email to products@ettinger.de.

Subject to change and errors.